

BPS26 26" Battery Powered Sweeper

Operator's Manual

Item #89002-00



Chemicals

Equipment

Programs

Process



BPS26 Battery Powered Sweeper

Table of Contents

Technical Information & Safety	Page 3
Unpacking	Page 4
Preparation	Page 5
Operation	Pages 6, 7, 8, 9
Maintenance & Troubleshooting	Pages 10, 11

BPS26 Battery Powered Sweeper

Technical Information

Cleaning Path	26"
Brush System	20" Main Brush 10" Side Brush (Overlapping)
Main Motor	.75 hp
Noise Level	70 dB
Filtration	Pleated filter panel (5 micron)
Airflow	250 cfm
Bin Capacity	1 cubic foot
Volts	12 volt system
Batteries	(2) 6 volt
Run Time	Approximately 4 hours
Length	56"
Width	26.5"
Height	29"
Weight	240 lbs (with batteries and charger)
Productivity	26,000 sq. ft. / hr.

General Safety Information

- Thoroughly read all labeling on machine. DO NOT remove or replace labels.
- Read operating instructions before operating machine or performing maintenance.
- Turn the machine off and always wear the proper personal protective equipment before performing maintenance or repairs.
- Do not use this machine for transportation.
- Do not use this machine for purposes other than intended.
- Do not use this to sweep up burning materials or toxic dust and debris.
- Do not place anything containing liquids on this machine.
- Always make sure working surface can support the weight of the machine.
- During operation always keep an appropriate safety distance from other people.
- Do not put any foreign object into openings. Do not use with any opening blocked; keep free of dust, lint, hair, & anything that may reduce airflow.
- Keep hair, loose clothing, fingers, & all parts of body away from openings & moving parts.
- Do not use in or around flammable or combustible liquids such as gasoline or use in areas where they may be present.

BPS26 Battery Powered Sweeper

Unpacking

- Inspect the shipping carton and report any damage immediately.
- Remove cardboard carton from pallet.



- Carefully remove the machine from the pallet.
- Check to make sure all major components are included:
 - (1) BPS26 Sweeper
 - (1) Battery Charger
 - (2) 6 Volt Batteries (Installed in machine).



BPS26 Battery Powered Sweeper

Preparation

Battery Installation

- *NOTE - New machines are shipped with batteries factory installed.*
- Make sure the power button is in the off position.
- Remove the battery cover.



- Place both batteries in the machine as shown in the diagram.
- Connect the positive and negative cables as shown in the diagram.
- Replace the battery cover.



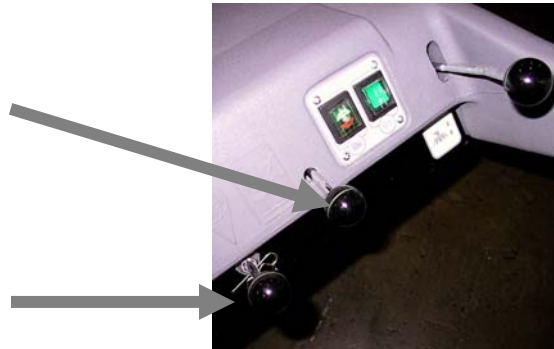
BPS26 Battery Powered Sweeper

Operation

Control Functions

Airflow (suction)

- Flap adjustment to control airflow duct. Pull handle out to allow airflow, push handle in to turn airflow off.



Filter Shaker

- Manual control to shake (clean) the dust filter.



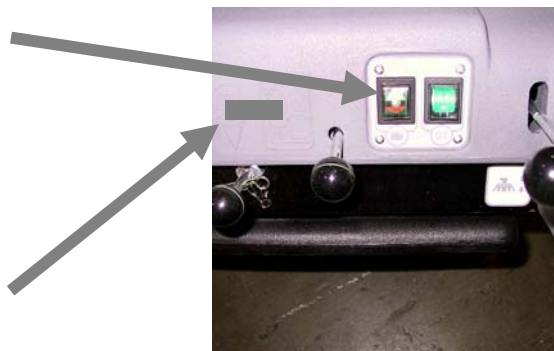
Side Brush Lever

- Pull lever out and lock down to disengage side brush assembly. Pull lever out and release to engage side brush assembly.



On/Off Switch

- Main power switch.



Battery Level Gauge

- Green light indicates adequate power.
- Red light indicates time to recharge.

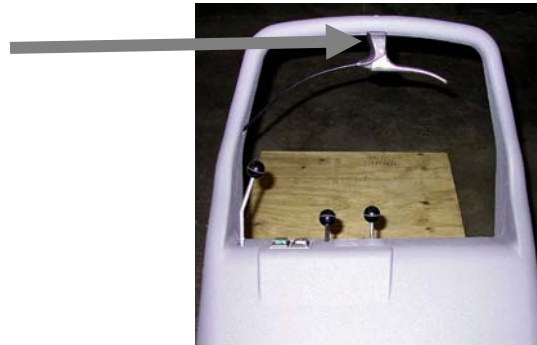
Hour Meter

- Measures hours of usage.



Traction Drive Handle

- Squeeze to engage traction drive system.



BPS26 Battery Powered Sweeper

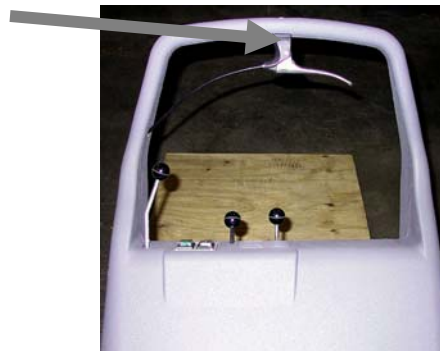
Operation

Start Up

- Turn On/Off switch to the On position.



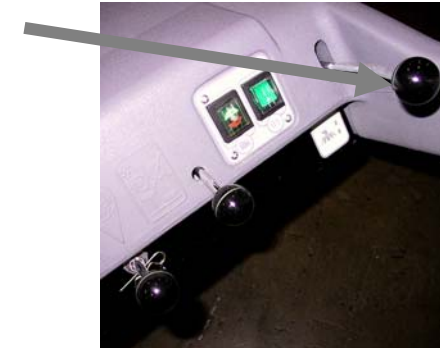
- To move forward engage the traction drive handle.
- To move backward release the traction drive handle and pull machine towards you.



- For edge cleaning utilize the side brush assembly.



- To engage the side brush assembly pull the side brush lever out and release.
- To disengage pull the side brush lever out and lock down.



BPS26 Battery Powered Sweeper

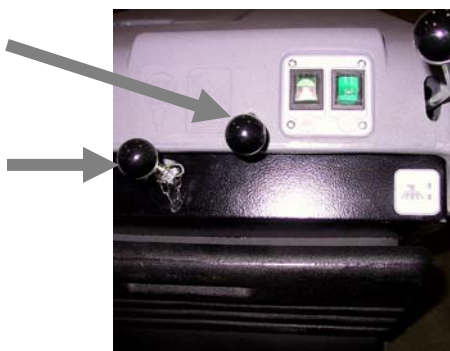
Operation

- To pick up bulky debris press down on the handle to raise the front of the machine allowing the main brush to sweep it into the debris hopper.

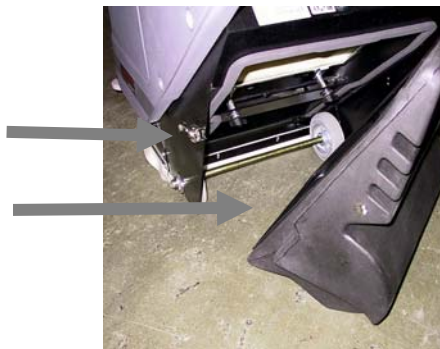


For efficient airflow the filter assembly should be cleaned approximately every 10 minutes.

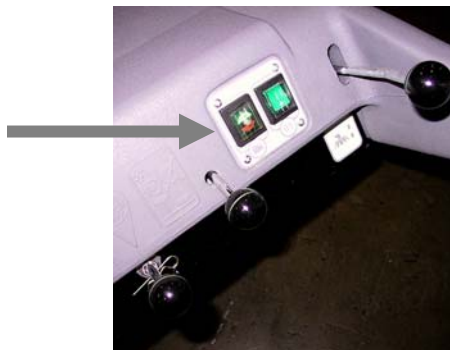
- Make sure the airflow handle is adjusted to the off position.
- Pull and release the filter shaker control several times.



- Empty the debris bin as needed, minimum once per day.
- Release latches from each side.
- Pull the bin away from the machine.



- Frequently check the battery level gauge. A Green light indicates adequate power. A Red light indicates its time to recharge.



BPS26 Battery Powered Sweeper

Operation

Charging the batteries

- Remove the battery cover.
- Make sure the battery charger is properly plugged in.
- Connect the charger plug to the battery plug as shown in the diagram. Plug the charger into the power outlet.
- To avoid permanent damage to the batteries never allow them to completely discharge.
- Approximate run time per charge is 3-4 hours.
- After charging is complete reconnect the battery plug to the machine plug.
- Close the battery cover.

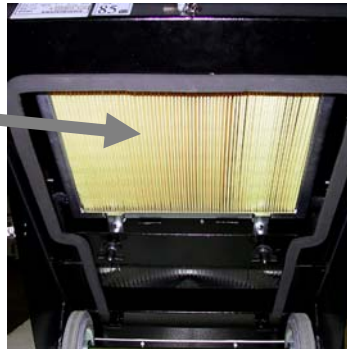


BPS26 Battery Powered Sweeper

Maintenance

Cleaning the filter

- The filter should be thoroughly cleaned at least once per day. More often if the application demands it.



- Remove the debris hopper.
- Lift the filter shaker lever and secure in the raised position with the provided pin. (The pin is attached to the shaker lever).



- Loosen the filter knobs and remove the filter assembly.



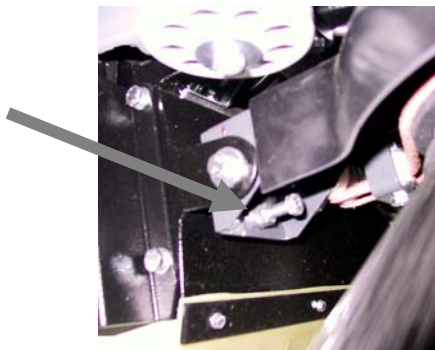
- Carefully vacuum the filter assembly and replace when done.



Maintenance and Troubleshooting

Adjusting the side brush

- Adjust the side brush height by turning the screw located on the brush bearing bracket. This is located directly behind the side brush assembly.

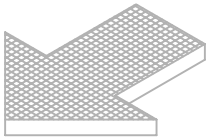
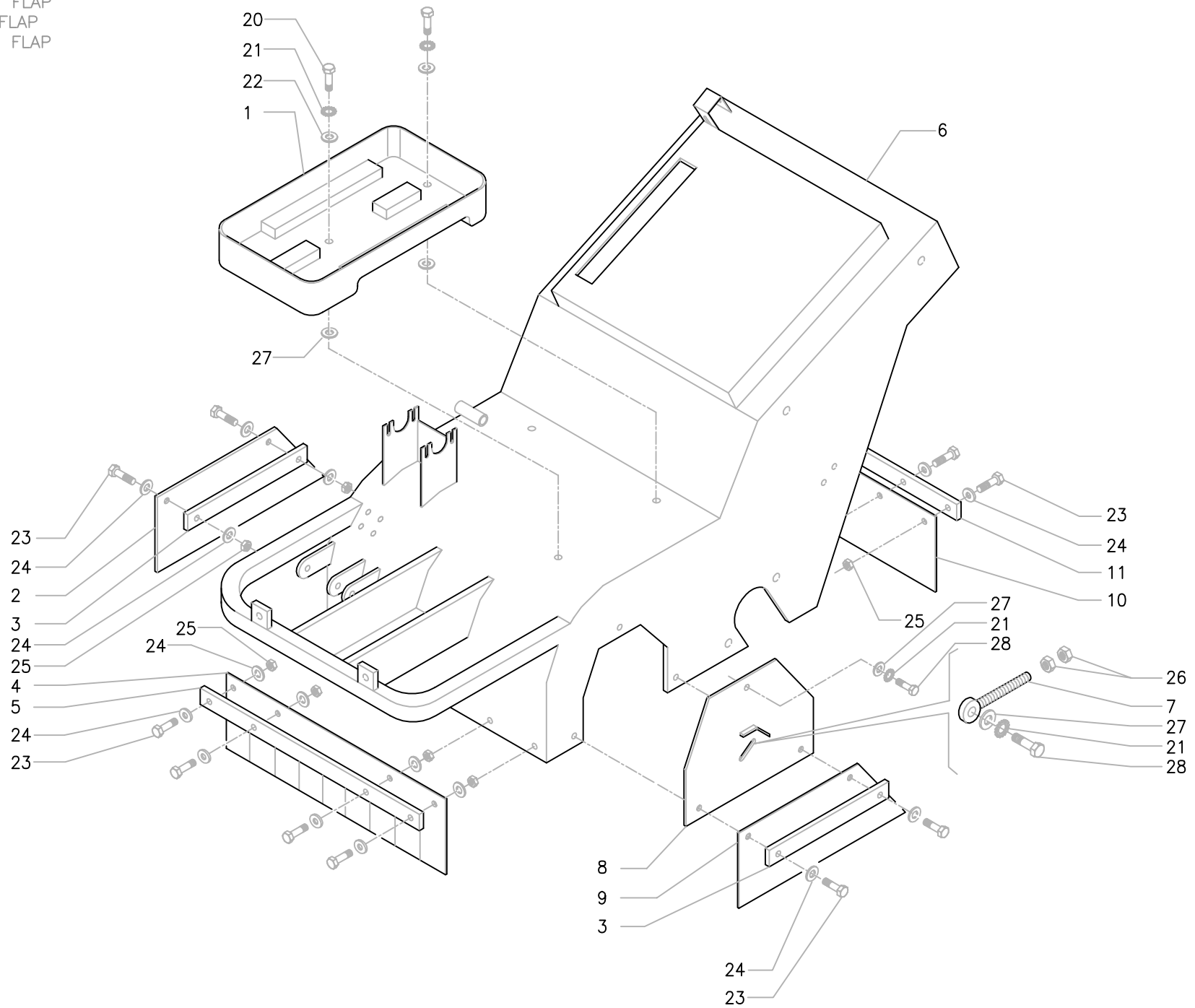


Adjusting the main brush

- Adjust the brush height by turning the two screws (one is located on each side of the machine).



Troubleshooting	
Main brush does not clean properly	Brush is worn or misadjusted - Replace and/or adjust brush. Waste bin is full - Empty waste bin Brush belt is broken – Replace belt
Machine creates airborne dust while operating	Vacuum flaps are torn – Replace vacuum flaps The filter is clogged – Thoroughly clean the filter Front debris flap is torn – Replace front debris flap
Excessive noise from main broom	Debris trapped in main broom – Thoroughly clean the main broom



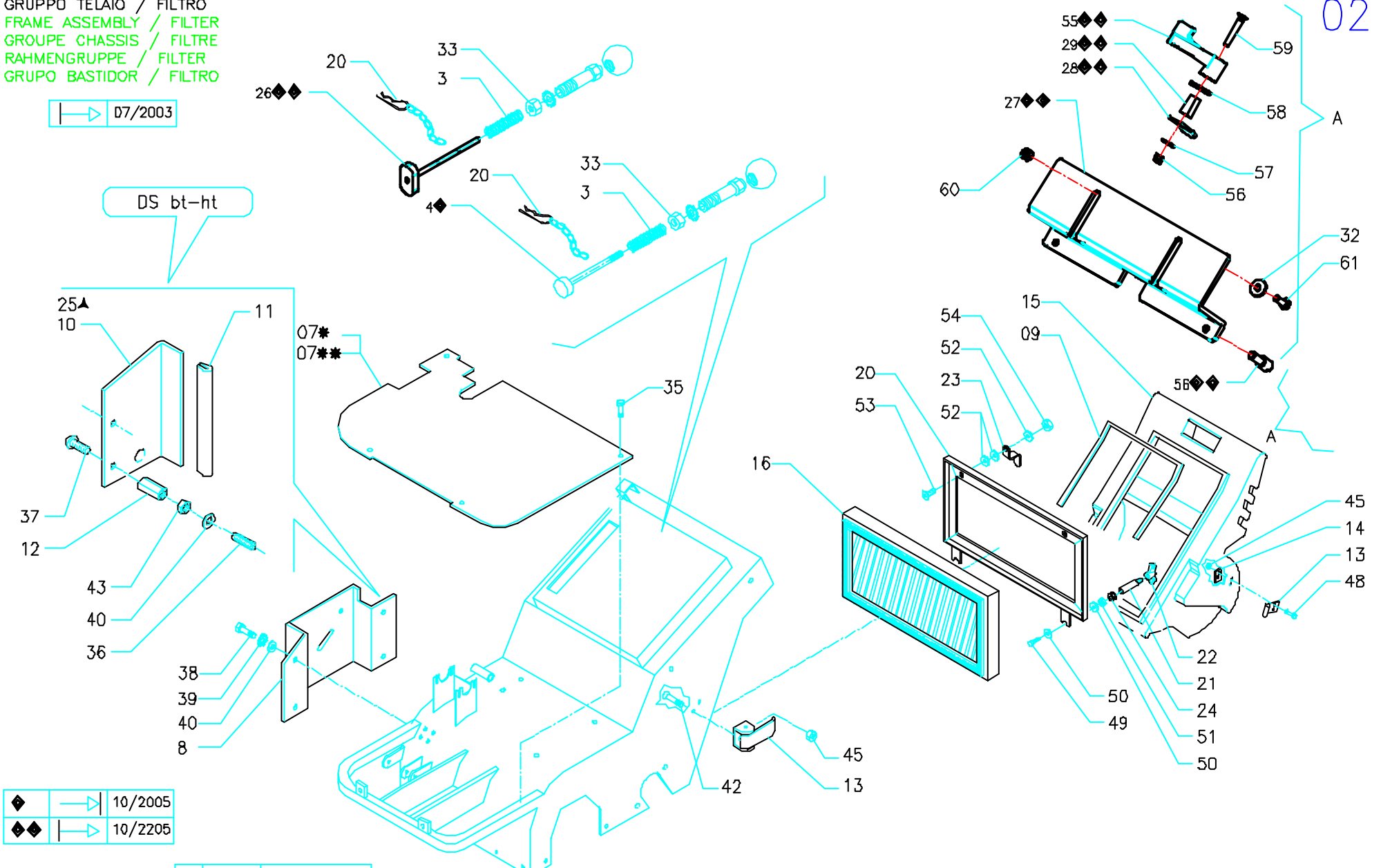
Pos.	Mod.	Codice	Q.tà	Denominazione	Description	Description	Benennung	Descripcion
01		R3816030	1	SOTTOFONDO BATTERIA	BASE	BASE	BASE	BASE
02		R3841150	1	GOMMA FISSA DX	RUBBER	CAOUTCHOUC	GUMMI	GOMA
03		R3841190	2	PREMIGOMMA FISSA LATERALE	BLADE	PLAQUETTE	LEISTE	LISTON
04		R3841120	1	GOMMA FLAP	RUBBER	CAOUTCHOUC	GUMMI	GOMA
05		R3841100	1	PREMIGOMMA FLAP	BLADE	PLAQUETTE	LEISTE	LISTON
06		E9938200	1	TELAIO	FRAME	CHASSIS	FAHGESTELL	BASTIDOR
07		R3107030	2	TIRANTE REG. SPAZZ. CENTR.	TIE ROD	TIRANT	STANGE	VARILLA
08		R3816010	1	SUPPORTO TELAIO SN	SUPPORT	SUPPORT	LAGER	SOPORTE
09		R3841160	1	GOMMA FISSA SN	RUBBER	CAOUTCHOUC	GUMMI	GOMA
10		R3841130	1	GOMMA FISSA POSTERIORE	RUBBER	CAOUTCHOUC	GUMMI	GOMA
11		R3841140	1	PREMIGOMMA FISSA POST.	BLADE	PLAQUETTE	LEISTE	LISTON
20	-	-	-	VITE M6x20 UNI 5739	SCREW	VIS	SCHRAUBE	TORNILLO
21	-	-	-	ROSETTA M6 DIN 6798/A	WASHER	RONDELLE	SCHEIBE	ARANDELA
22	-	-	-	ROSETTA M6x24 UNI 6592	WASHER	RONDELLE	SCHEIBE	ARANDELA
23	-	-	-	VITE M5x16 UNI 5739	SCREW	VIS	SCHRAUBE	TORNILLO
24	-	-	-	ROSETTA M5 UNI 6592	WASHER	RONDELLE	SCHEIBE	ARANDELA
25	-	-	-	DADO M5 AUT. UNI 7473	BLOC NUT	ECROU	MUTTER	TUERCA
26	-	-	-	DADO M6 UNI 5587	NUT	ECROU	MUTTER	TUERCA
27	-	-	-	ROSETTA M6x24 UNI 6592	WASHER	RONDELLE	SCHRAUBE	ARANDELA
28	-	-	-	VITE M6x16 UNI 5739	SCREW	VIS	SCHRAUBE	TORNILLO

GRUPPO TELAIO / FILTRO
 FRAME ASSEMBLY / FILTER
 GROUPE CHASSIS / FILTRE
 RAHMENGRUPPE / FILTER
 GRUPO BASTIDOR / FILTRO

02

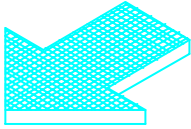
07/2003

DS bt-ht



◆	→	10/2005
◆◆	→	10/2205

*	→	02 3807 3453
**	→	02 3807 3454
▲	→	11/2003

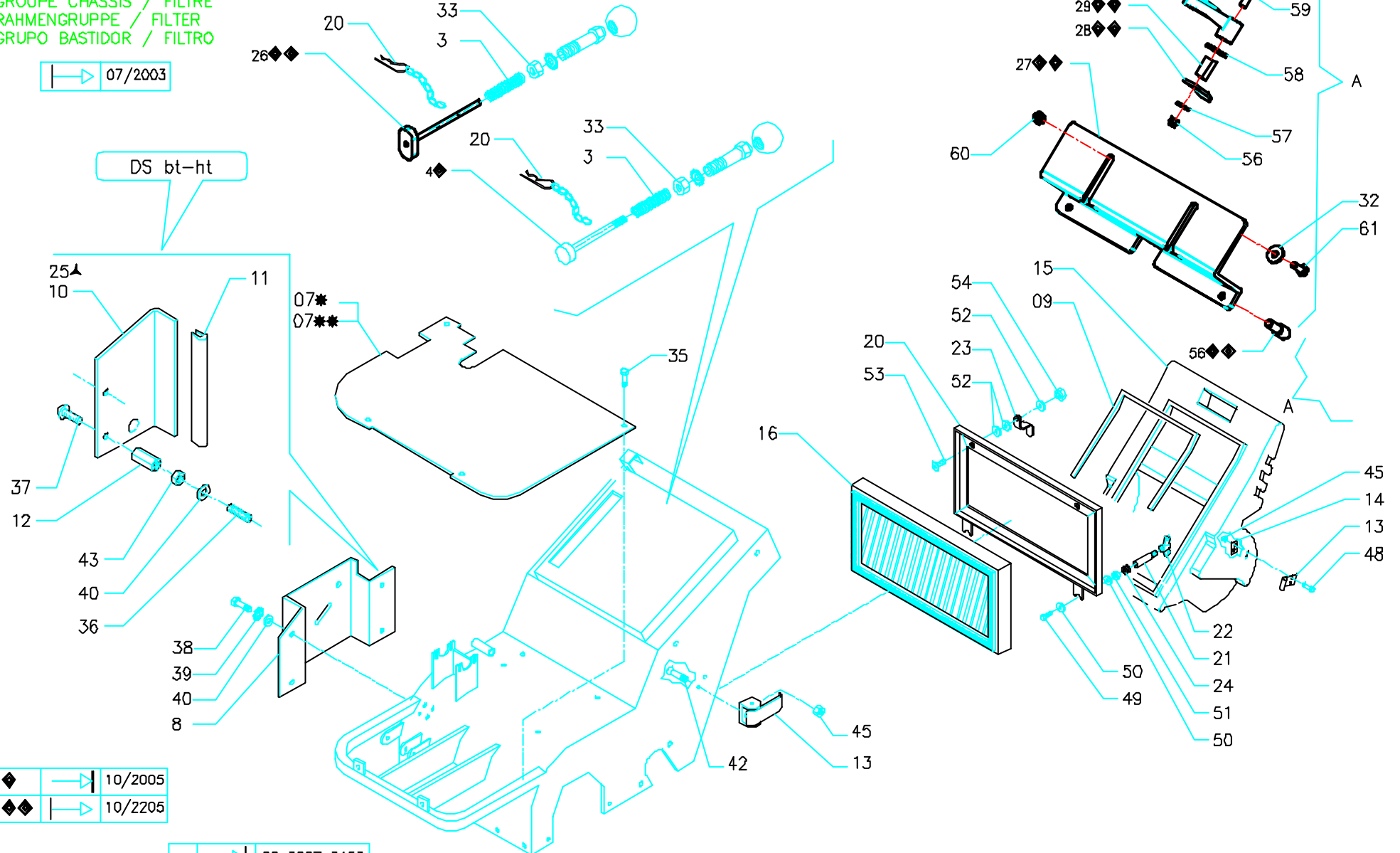


Pos.	Mod. Codice	Q.tà	Denominazione	Description	Description	Benennung	Descripcion
01	T4008001	1	POMELLO	KNOB	POIGNEE	KUGELGRIFF	POMA
02	R3156010	1	GUIDA PER SCUOTIFILTRO	GUIDE	GUIDE	HUND	GUIA
03	E9210120	1	MOLLA SCUOTIFILTRO	SPRING	RESSORT	FEDER	RESORTE
04	R3841050	1	SCUOTIFILTRO	FILTERSHAKER	VIBROSECOUEUR	FILTERRRUETTLER	SACUIDOR DEL FILTRO
05	R3841030	1	STAFFA FILTRO	BRACKET	BRIDE	HALTER	SOPORTE
06	E9210080	2	MOLLA	SPRING	RESSORT	FEDER	RESORTE
07*	R3816050	1	CHIUSURA ANTERIORE	COVER	PROTECTION	ABDECKUNG	CARTER
07**	R3816120	1	CHIUSURA ANTERIORE	COVER	PROTECTION	ABDECKUNG	CARTER
08	R3816090	1	SUPPORTO TELAIO DX	SUPPORT	SUPPORT	LAGER	SOPORTE
09	E7402230	1	GUARNIZIONE CASSETTO	GASKET	GARNITURE	DICHTUNG	JUNTA
10	bt-st R3846090	1	CARTER CINGHIA	COVER	CARTER	ABDECKUNG	CARTER
11	bt-st E7402220	1	PROFILO A "U"	PROFILE	PROFIL	PROFIL	PERFIL
12	bt-st T1010808	2	DADO DI PROLUNGAMENTO	NUT	ECROU	MUTTER	TUERCA
13	T4400001	2	GANCIO CASSETTO	HOOK	PINCE	HAKEN	GANCHO
14	R3841180	2	PIASTRINA CASSETTO	PLATE	PLAQUE	TELLER	PLACA
15	R3841200	1	CASSETTO	BOX	TIROIR	BEHAELTER	CAJON
16	E6500150	1	FILTRO ARIA	FILTER	FILTRE	FILTER	FILTRO
18	E7402310	1	GUARNIZIONE FILTRO	GASKET	GARNITURE	DICHTUNG	JUNTA
19	R0811020	1	CATENELLA CON SPILLO	CHAIN	CHAINE	KETTE	CADENA
20	R3841220	1	TELAIO PREMIFILTRO	FRAME	CHASSIS	RAHMEN	BASTIDOR
21	R6041150	2	PERNO PREMIFILTRO	PIN	AXE	BOLZEN	PERNO
22	T4008006	2	POMELLO	KNOB	POMMEAU	KUGELGRIFF	POMO
23	R5041120	2	GALLETTO FISSAGGIO	WING NUT	PAPILLON	FLÜGELSCHRAUBE	POMO
24	T2910004	1	PASSA FILO	GUIDING SLIT	PASSE-CABLE	KABELDURCHGANG	MANGUITO GUIACABLE
25	R3846210	1	CARTER CINGHIA	COVER	CARTER	ABDECKUNG	CARTER
26	R3841270	1	SCUOTIFILTRO	FILTERSHAKER	VIBROSECOUEUR	FILTERRUETTLER	SACUIDOR DEL FILTRO
27	R3841230	1	LAMA BLOCCA FILTRO	BLADE	PLAQUE	PLATTE	LISTON
28	R3841260	1	LAMA	BLADE	PLAQUE	PLATTE	LISTON
29	R5241180	1	PERNO	PIN	AXE	BOLZEN	PERNO
30	-	-	ROSETTA M14 DIN 6798/A	WASHER	RONDELLE	SCHEIBE	ARANDELA
31	-	-	VITE 6x35 UNI 5739	SCREW	VIS	SCHRAUBE	TORNILLO
32	-	-	ROSETTA M6 D18 UNI 6593	WASHER	RONDELLE	SCHEIBE	ARANDELA
33	-	-	DADO M14x2 UNI 5589	NUT	ECROU	MUTTER	TUERCA
34	-	-	DADO	NUT	ECROU	MUTTER	TUERCA
35	-	-	VITE 4.8x13 AUTOFIL.	SCREW	VIS	SCHRAUBE	TORNILLO
36	-	-	GRANO M8x40 UNI 5923	DOWEL	VIS	MANDENSCHRAUBE	TORNILLO
37	-	-	VITE M8x16 TBEI UNI 7380	SCREW	VIS	SCHRAUBE	TORNILLO
38	-	-	VITE 8x20 UNI 5739	SCREW	VIS	SCHRAUBE	TORNILLO
39	-	-	ROSETTA M8 DIN 6798/A	WASHER	RONDELLE	SCHEIBE	ARANDELA
40	-	-	ROSETTA M8 UNI 6592	WASHER	RONDELLE	SCHEIBE	ARANDELA
42	-	-	VITE 3x8 UNI 6109	SCREW	VIS	SCHRAUBE	TORNILLO
43	-	-	DADO M8 UNI 5588	NUT	ECROU	MUTTER	TUERCA
45	-	-	DADO M3 AUTOBL. UNI 7473	NUT	ECROU	MUTTER	TUERCA
48	-	-	VITE 3x16 5739	SCREW	VIS	SCHRAUBE	TORNILLO
49	-	-	VITE M8x70 UNI5739 TE	SCREW	VIS	SCHRAUBE	TORNILLO
50	-	-	ROSETTA M8 Ø24 UNI6593	WASHER	RONDELLE	SCHEIBE	ARANDELA
51	-	-	DADO M8 UNI5588	NUT	ECROU	MUTTER	TUERCA
52	-	-	ROSETTA M6 Ø18 UNI6593	WASHER	RONDELLE	SCHEIBE	ARANDELA

GRUPPO TELAIO / FILTRO
 FRAME ASSEMBLY / FILTER
 GROUPE CHASSIS / FILTRE
 RAHMENGRUPPE / FILTER
 GRUPO BASTIDOR / FILTRO

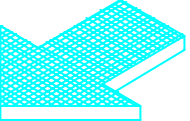
07/2003

DS bt-ht



◆	→	10/2005
◆◆	→	10/2205

*	→	02 3807 3453
**	→	02 3807 3454
▲	→	11/2003

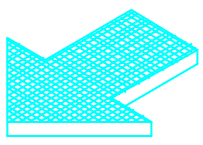
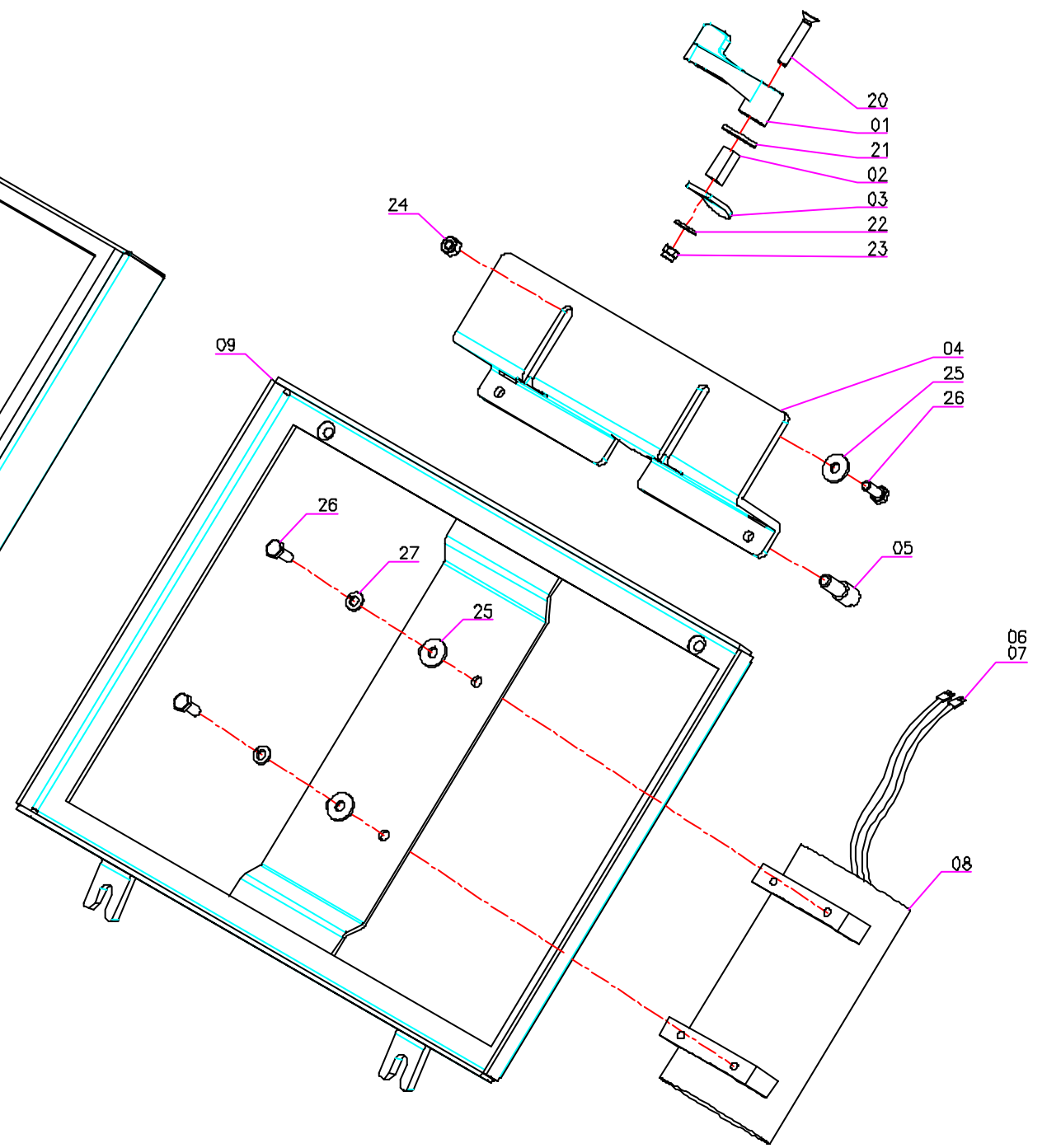
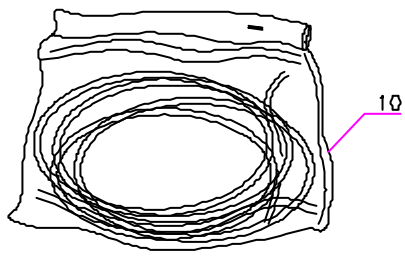
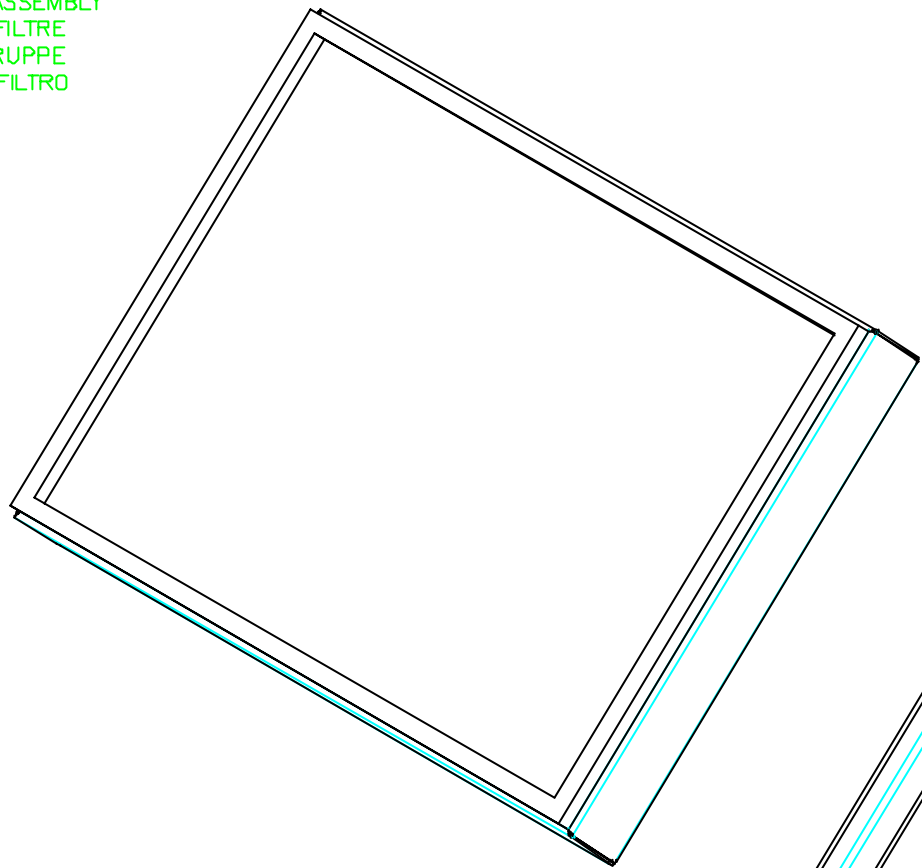


Pos.	Mod. Codice	Q.tà	Denominazione	Description	Description	Benennung	Descripcion
53	-	-	VITE M6x20 UNI5933 TPSEI	SCREW	VIS	SCHRAUBE	TORNILLO
54	-	-	DADO M6 AUTOBL. UNI7474	NUT	ECROU	MUTTER	TUERCA
55	R5341030	1	LEVA	LEVER	LEVIER	HABEL	PALANCA
56	-	-	DADO AUTOBL. M5 UNI7474	NUT	ECROU	MUTTER	TUERCA
57	-	-	ROSETTA M5 D.15 UNI6593	WASHER	RONDELLE	SCHEIBE	ARANDELA
58	-	-	ROSETTA M12 UNI6592	WASHER	RONDELLE	SCHEIBE	ARANDELA
59	-	-	VITE M6x35 DIN7046	SCREW	VIS	SCHRAUBE	TORNILLO
60	-	-	DADO M6 UNI 5587	NUT	ECROU	MUTTER	TUERCA
61	-	-	VITE M6x16 UNI5739	SCREW	VIS	SCHRAUBE	TORNILLO
62	R3841260	2	REGISTRO	ADJUSTER	REGLAGE	VERSTELLSCHRAUBE	REGULADOR

Pos.	Mod. Codice	Q.tà	Denominazione	Description	Description	Benennung	Descripcion
01	T4008001	1	POMELLO	KNOB	POIGNEE	KUGELGRIFF	POMA
02	R3156010	1	GUIDA PER SCUOTIFILTRO	GUIDE	GUIDE	HUND	GUIA
03	E9210120	1	MOLLA SCUOTIFILTRO	SPRING	RESSORT	FEDER	RESORTE
04	R3841050	1	SCUOTIFILTRO	FILTERSHAKER	VIBROSECOEUR	FILTERRRUETTLER	SACUIDOR DEL FILTRO
05	R3841030	1	STAFFA FILTRO	BRACKET	BRIDE	HALTER	SOPORTE
06	E9210080	2	MOLLA	SPRING	RESSORT	FEDER	RESORTE
07*	R3816050	1	CHIUSURA ANTERIORE	COVER	PROTECTION	ABDECKUNG	CARTER
07**	R3816120	1	CHIUSURA ANTERIORE	COVER	PROTECTION	ABDECKUNG	CARTER
08	R3816090	1	SUPPORTO TELAIO DX	SUPPORT	SUPPORT	LAGER	SOPORTE
09	E7402230	1	GUARNIZIONE CASSETTO	GASKET	GARNITURE	DICHTUNG	JUNTA
10	bt-st R3846090	1	CARTER CINGHIA	COVER	CARTER	ABDECKUNG	CARTER
11	bt-st E7402220	1	PROFILO A "U"	PROFILE	PROFIL	PROFIL	PERFIL
12	bt-st T1010808	2	DADO DI PROLUNGAMENTO	NUT	ECROU	MUTTER	TUERCA
13	T4400001	2	GANCIO CASSETTO	HOOK	PINCE	HAKEN	GANCHO
14	R3841180	2	PIASTRINA CASSETTO	PLATE	PLAQUE	TELLER	PLACA
15	R3841200	1	CASSETTO	BOX	TIROIR	BEHAELTER	CAJON
16	E6500150	1	FILTRO ARIA	FILTER	FILTRE	FILTER	FILTRO
18	E7402310	1	GUARNIZIONE FILTRO	GASKET	GARNITURE	DICHTUNG	JUNTA
19	R0811020	1	CATENELLA CON SPILLO	CHAIN	CHAINE	KETTE	CADENA
30	-	-	ROSETTA M14 DIN 6798/A	WASHER	RONDELLE	SCHEIBE	ARANDELA
31	-	-	VITE 6x35 UNI 5739	SCREW	VIS	SCHRAUBE	TORNILLO
32	-	-	ROSETTA M6 D18 UNI 6593	WASHER	RONDELLE	SCHEIBE	ARANDELA
33	-	-	DADO M14x2 UNI 5589	NUT	ECROU	MUTTER	TUERCA
34	-	-	DADO M6 UNI 5587	NUT	ECROU	MUTTER	TUERCA
35	-	-	VITE 4.8x13 AUTOFIL.	SCREW	VIS	SCHRAUBE	TORNILLO
36	-	-	GRANO M8x40 UNI 5923	DOWEL	VIS	MANDENSCHRAUBE	TORNILLO
37	-	-	VITE M8x16 TBEI UNI 7380	SCREW	VIS	SCHRAUBE	TORNILLO
38	-	-	VITE 8x20 UNI 5739	SCREW	VIS	SCHRAUBE	TORNILLO
39	-	-	ROSETTA M8 DIN 6798/A	WASHER	RONDELLE	SCHEIBE	ARANDELA
40	-	-	ROSETTA M8 UNI 6592	WASHER	RONDELLE	SCHEIBE	ARANDELA
42	-	-	VITE 3x8 UNI 6109	SCREW	VIS	SCHRAUBE	TORNILLO
43	-	-	DADO M8 UNI 5588	NUT	ECROU	MUTTER	TUERCA
45	-	-	DADO M3 AUTOBL. UNI 7473	NUT	ECROU	MUTTER	TUERCA
48	-	-	VITE 3x16 UNI 5739	SCREW	VIS	SCHRAUBE	TORNILLO

GRUPPO FILTRO (OPZIONALE)
FILTER ASSEMBLY
GRUPE FILTRE
FILTERGRUPPE
GRUPO FILTRO

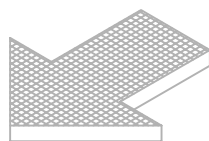
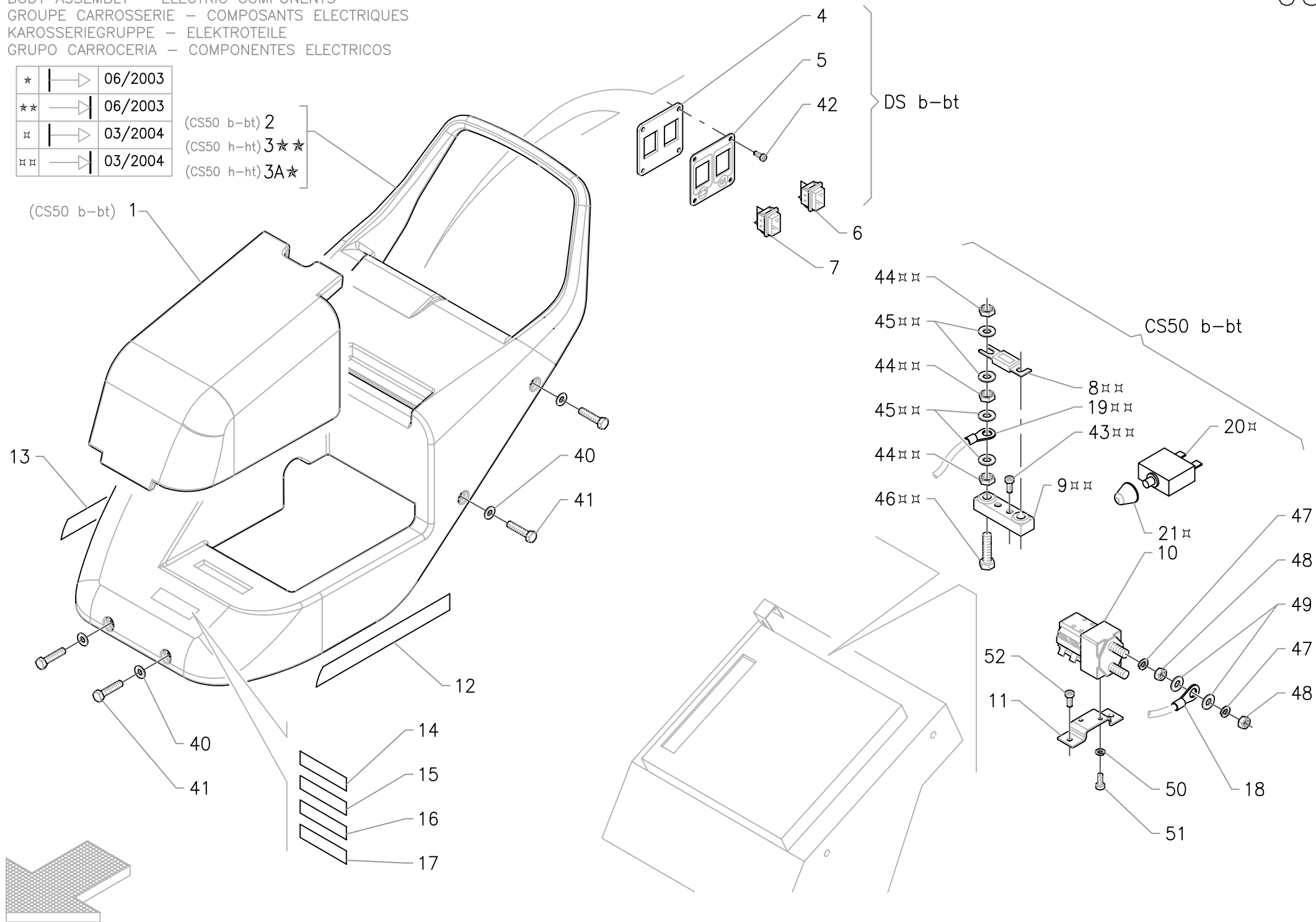
02B



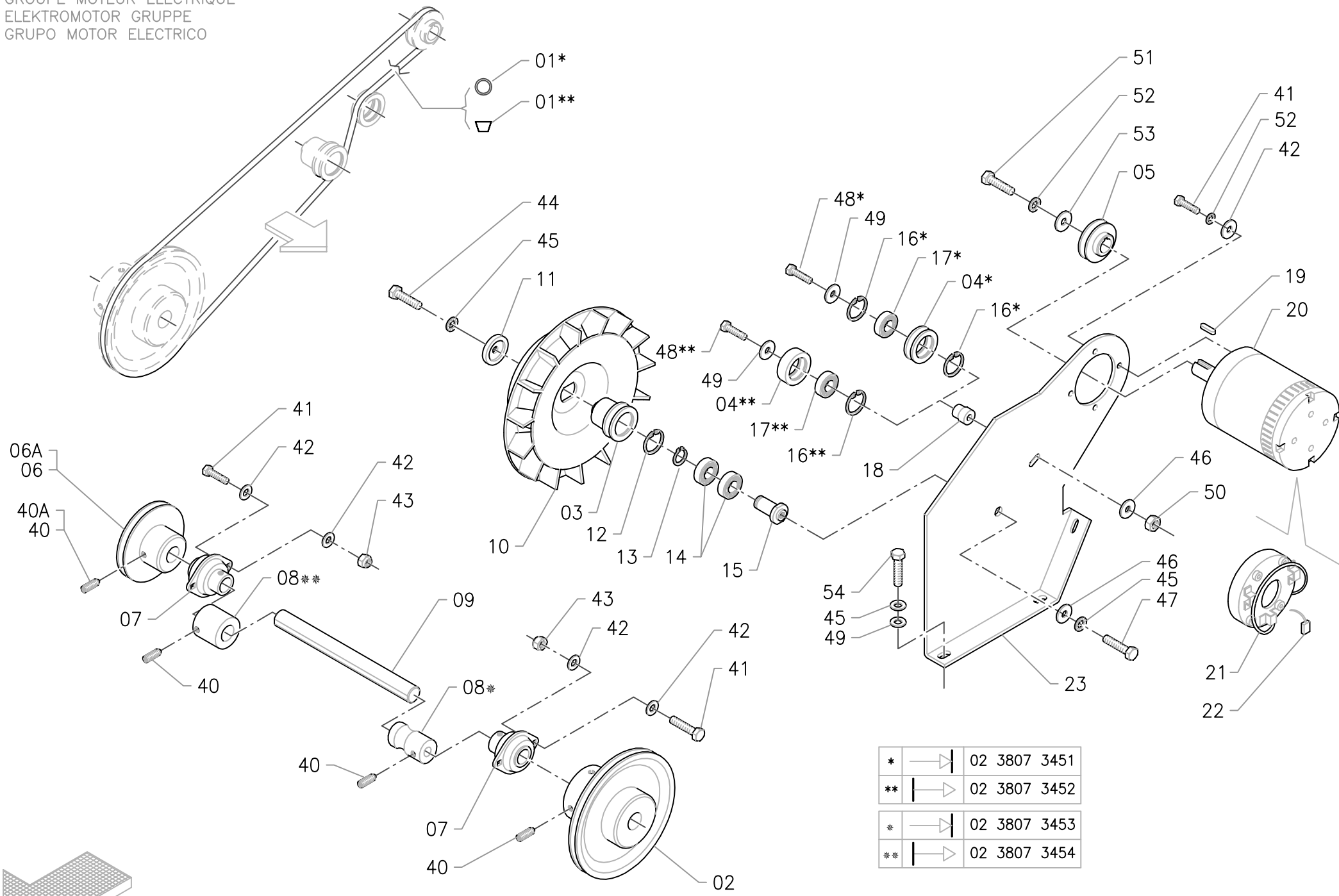
Pos.	Mod. Codice	Q.tà	Denominazione	Description	Description	Benennung	Descripcion
01	R5341030	1	LEVA	LEVER	LEVIER	HABEL	PALANCA
02	R5241180	1	PERNO	PIN	AXE	BOLZEN	PERNO
03	R3841260	1	LAMA	BLADE	PLAQUE	PLATTE	LISTON
04	R3841230	1	LAMA BLOCCA FILTRO	BLADE	PLAQUE	PLATTE	LISTON
05	R3841260	2	REGISTRO	ADJUSTER	REGLAGE	VERSTELLSCHRAUBE	REGULADOR
06	T2700002	2	CONNETTORE	CONNECTOR FEMALE	CONNECTEUR FEMELLE	STECKER OHNE ZAPFEN	CONNECTADOR
07	T2700009	1	CONTATTO	CONTACT	CONTACT	KONTAKT	CONTACTO
08	E8210020	1	VIBROSCUOTITORE 12V	FILTERSHAKER	VIBROSECOUEUR	FILTERRUETTLER	SACUDIDOR DEL FILTRO
09	R3841250	1	SUPPORTO SCUOTIFILTRO	SUPPORT	SUPPORT	HALTERUNG	SOPORTE
10		1	KIT CAVI IMP. ELETTRICO	KIT CAVI INSTALLS ELEC	KIT CÂBLES INSTALLATION ÉLEC		KIT INSTALLIEREN ELEK CAJA HUECA
			INST ELÉCTRICA				
20	-	-	VITE M6x35 DIN7046	SCREW	VIS	SCHRAUBE	TORNILLO
21	-	-	ROSETTA M12 UNI6592	WASHER	RONDELLE	SCHEIBE	ARANDELA
22	-	-	ROSETTA M5 D.15 UNI6593	WASHER	RONDELLE	SCHEIBE	ARANDELA
23	-	-	DADO AUTOBL. M5 UNI7474	NUT	ECROU	MUTTER	TUERCA
24	-	-	DADO M6 UNI 5587	NUT	ECROU	MUTTER	TUERCA
25	-	-	ROSETTA M6 D.18 UNI6593	WASHER	RONDELLE	SCHEIBE	ARANDELA
26	-	-	VITE M6x16 UNI5739	SCREW	VIS	SCHRAUBE	TORNILLO
27	-	-	ROSETTA M6 UNI8839	WASHER	RONDELLE	SCHEIBE	ARANDELA

★	┌─▶	06/2003
★★	┌─▶	06/2003
▣	┌─▶	03/2004
▣▣	┌─▶	03/2004

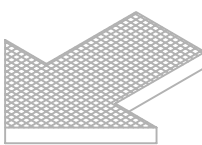
(CS50 b-bt) 2
 (CS50 h-ht) 3★★
 (CS50 h-ht) 3A★



Pos.	Mod.	Codice	Q.tà	Denominazione	Description	Description	Benennung	Descripcion
01	b-bt	R3846100	1	COPERCHIO BATTERIA	COVER	CARTER	SCHUTZ	CARTER
02	b-bt	R3846070	1	COFANO	BONNET	COUVERCLE	ABDECKHAUBE	TAPADERA
03		R3846150	1	COFANO	BONNET	COUVERCLE	ABDECKHAUBE	TAPADERA
03A		R3846180	1	COFANO	BONNET	COUVERCLE	ABDECKHAUBE	TAPADERA
04	b-bt	R3846110	1	PIASTRINA CRUSCOTTO	SHEET	TOLE	BLECH	CHAPA
05	b-bt	E6410318	1	ETICHETTA CRUSCOTTO	LABEL	ETIQUETTE	SCHILD	ETIQUETA
06	b-bt	T2102009	1	INT. BIP. LUM. VERDE 12V	SWITCH	INTERRUPTEUR	SCHALTER	INTERRUPTOR
07	b-bt	T2300209	1	SPIA LIVELLO BATTERIA	INDICATOR	INDICATEUR	ANZEIGER	SEGNAL
08	b-bt	T2408001	1	FUSIBILE LAMELLARE 80A	FUSE	FUSIBLE	SICHERUNG	FUSIBLE
09	b-bt	T2400004	1	PORTAFUSIBILE	FUSEHOLDER	PORTE-FUSIBLE	SICHERUNGSHALTER	PORTAFUSIBLE
10	b-bt	E8410003	1	TELERUTTORE	REMOTE CONTROL	TELERUPTEUR	FERNSTEUR	CONTROL REMOTO
11	b-bt	T2906004	1	STAFFA TELERUTTORE	SUPPORT	ATTAQUE	HALTERUNG	SOPORTE FIJADOR
12		E6410406	1	ETICHETTA SN	LABEL	ETIQUETTE	SCHILD	ETIQUATA
13		E6410405	1	ETICHETTA DX	LABEL	ETIQUETTE	SCHILD	ETIQUETA
14	b	E6410401	1	ETICHETTA	LABEL	ETIQUETTE	SCHILD	ETIQUETA
15	bt	E6410402	1	ETICHETTA	LABEL	ETIQUETTE	SCHILD	ETIQUETA
16	s	E6410403	1	ETICHETTA	LABEL	ETIQUETTE	SCHILD	ETIQUETA
17	st	E6410404	1	ETICHETTA	LABEL	ETIQUETTE	SCHILD	ETIQUETA
18		T3020003	1	CAPOCORDA Ø8.4	CONTACT	CONTACT	KONTAKT	CONTACTO
19		T3020005	1	CAPOCORDA Ø10.5	CONTACT	CONTACT	KONTAKT	CONTACTO
20	b-bt	T2106007	1	DISGIUNTORE TERMICO 70A	SAFETY SWITCH	INTERRUP. DE PROTECTION	SICHERHEITSCHALTER	INTERRUPTOR DE SEGURIDAD
21	b-bt	T2903008	1	CAPPUCCIO DISGIUNTORE	CAP	CAPUCHON	KAPPE	TAPON
40	-	-	-	ROSETTA Ø6x24 UNI 6593	WASHER	RONDELLE	SCHEIBE	ARANDELA
41	-	-	-	VITE M6x50 UNI 5739	SCREW	VIS	SCHRAUBE	TORNILLO
42	-	-	-	VITE Ø4.2x13 TCTC AUTOFIL.	SCREW	VIS	SCHRAUBE	TORNILLO
43	-	-	-	VITE Ø4.8x25 TCTC AUTOFIL.	SCREW	VIS	SCHRAUBE	TORNILLO
44	-	-	-	DADO M10 UNI 5589	NUT	ECROU	MUTTER	TUERCA
45	-	-	-	RONDELLA Ø10x21 OTTONE	WASHER	RONDELLE	SCHEIBE	ARANDELA
46	-	-	-	VITE M10x40 TE UNI 5739	SCREW	VIS	SCHRAUBE	TORNILLO
47	-	-	-	ROSETTA Ø8 GROWER UNI	WASHER	RONDELLE	SCHEIBE	ARANDELA
48	-	-	-	DADO M8 UNI 5588	NUT	ECROU	MUTTER	TUERCA
49	-	-	-	RONDELLA Ø8x17 OTTONE	WASHER	RONDELLE	SCHEIBE	ARANDELA
50	-	-	-	ROSETTA Ø4 GROWER UNI	WASHER	RONDELLE	SCHEIBE	ARANDELA
51	-	-	-	VITE M4x6 TCTCUNI 7687	SCREW	VIS	SCHRAUBE	TORNILLO
52	-	-	-	VITE Ø4.8x13 TCTC UNI 6954	SCREW	VIS	SCHRAUBE	TORNILLO

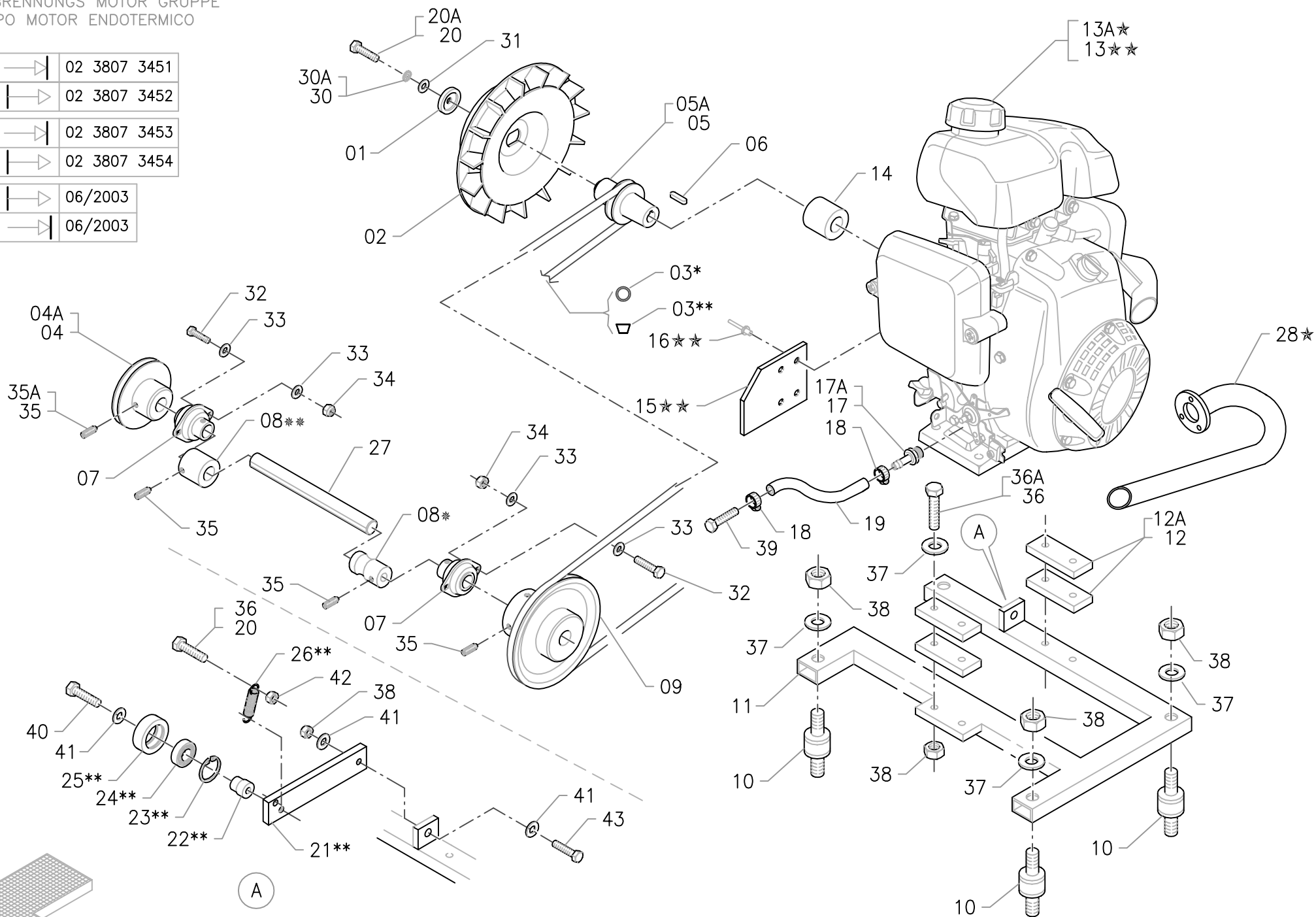


*	→	02 3807 3451
**	→	02 3807 3452
*	→	02 3807 3453
**	→	02 3807 3454

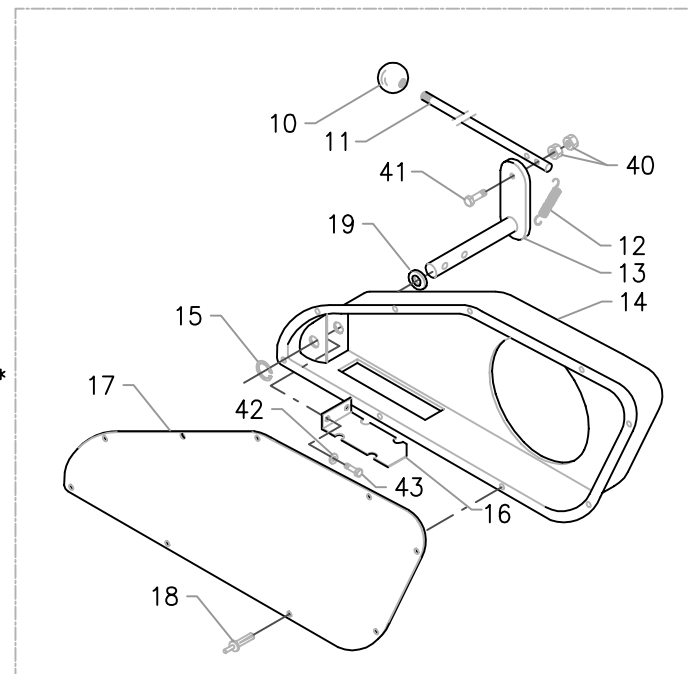
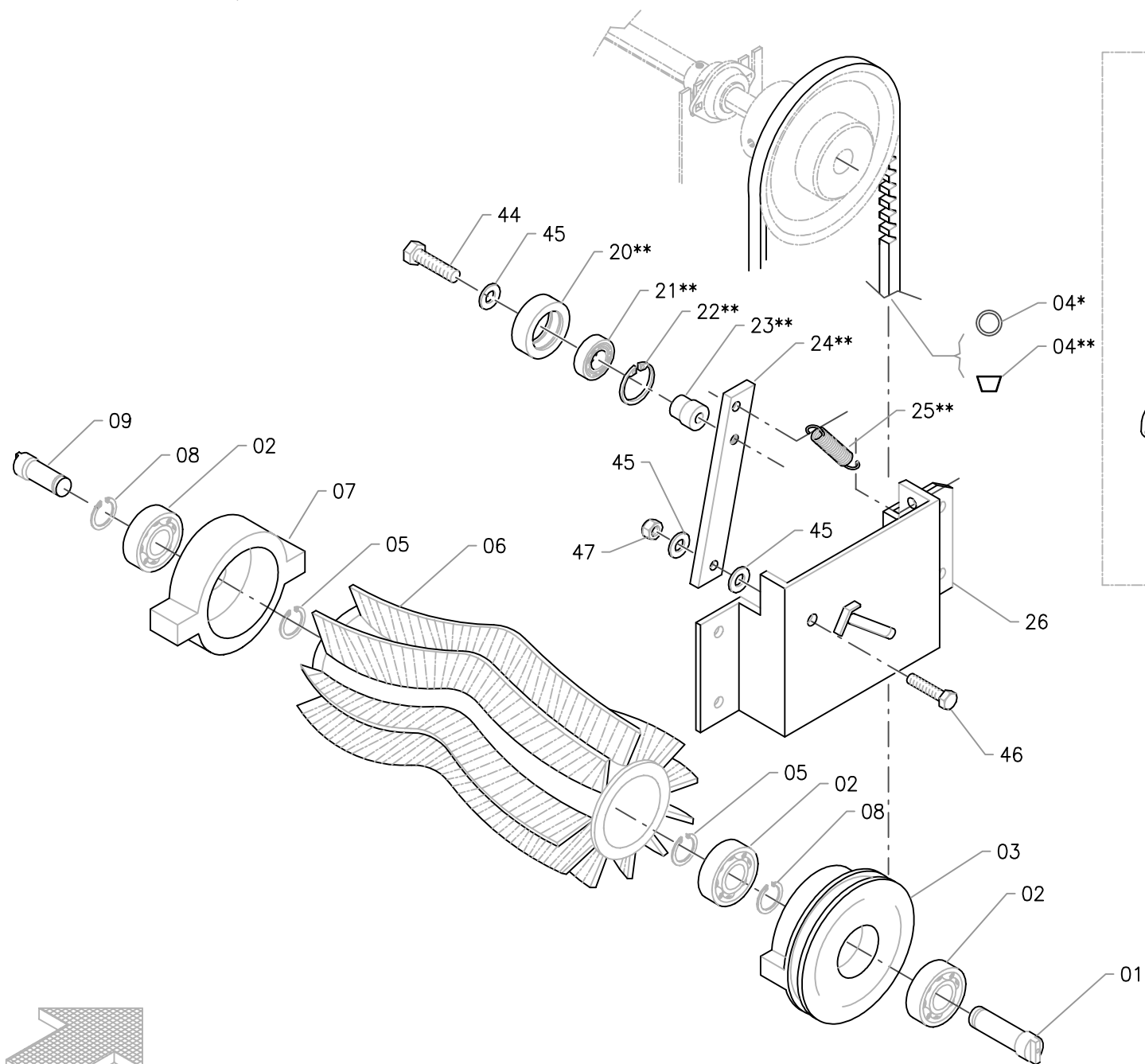


Pos.	Mod.	Codice	Q.tà	Denominazione	Description	Description	Benennung	Descripcion
01*		T0150010	1	CINGHIA Ø8x1086	BELT	COURROIE	RIEMEN	CORREA
01**		T0140005	1	CINGHIA DENTATA AX46	BELT	COURROIE	RIEMEN	CORREA
02		E9431030	1	PULEGGIA	PULLEY	POULIE	RIEMENSCHLEIBE	POLEA
03		E9431050	1	PULEGGIA PORTA VENTOLA	PULLEY	POULIE	RIEMENSCHLEIBE	POLEA
04*		E9440060	1	PULEGGIA TENDICINGHIA	PULLEY	POULIE	RIEMENSCHLEIBE	POLEA
04**		R3807030	1	PULEGGIA TENDICINGHIA	PULLEY	POULIE	RIEMENSCHLEIBE	POLEA
05		E9410310	1	PULEGGIA MOTORE	PULLEY	POULIE	RIEMENSCHLEIBE	POLEA
06	b	E9438040	1	PULEGGIA	PULLEY	POULIE	RIEMENSCHLEIBE	POLEA
06A	bt	E9440080	1	PULEGGIA	PULLEY	POULIE	RIEMENSCHLEIBE	POLEA
07		T0541701	2	SUPPORTO	SUPPORT	SUPPORT	HALTERUNG	SOPORTE
08*		E9438030	1	PULEGGIA SPAZZ. LATER.	PULLEY	POULIE	RIEMENSCHLEIBE	POLEA
08**		R3117050	1	RULLO TRAZIONE	TRACTION ROLL	ROULEA	PROFIL	PERFIL
09		R3117040	1	ALBERO RINVIO	SCHAFT	ARBRE	WELLE	EJE
10		T5410001	1	VENTOLA	FAN	VENTILATEUR	VENTILATOR	VENTILADOR
11		R3141190	1	RONDELLA	WASHER	RONDELLE	SCHEIBE	ARANDELA
12		T0210002	1	SEEGER I=35	SEEGER RING	SERRE CLIPS	SEEGERRING	ANILLO SEEGER
13		T0220001	1	SEEGER E=15	SEEGER RING	SERRE CLIPS	SEEGERRING	ANILLO SEEGER
14		T0511502	2	CUSCINETTO 6202-2RS	BEARING	ROULEMENT	LAGER	COJNETE
15		R3841210	1	PERNO	PIN	AXE	BOLZEN	PERNO
16*		T0210001	2	SEEGER I=32	SEEGER RING	SERRE CLIPS	SEEGERRING	ANILLO SEEGER
16**		T0210002	1	SEEGER I=35	SEEGER RING	SERRE CLIPS	SEEGERRING	ANILLO SEEGER
17*		T0511501	1	CUSCINETTO 6002-2RS1	BEARING	ROULEMENT	LAGER	COJNETE
17**		T0511202	1	CUSCINETTO 6202-2RS1	BEARING	ROULEMENT	LAGER	COJNETE
18		R3817050	1	PERNO	PIN	AXE	BOLZEN	PERNO
19		T0405051	1	LINGUETTA 5x5x20	TONGUE	LANGUETTE	PASSFEDER	CLAVETA
20		E8210010	1	MOTORE	MOTOR	MOTEUR	MANDENSCHRAUBE	TORNILLO
21		T1707142	2	SPAZZOLA MOTORE	CARBON BRUSH	CHARBON MOTEUR	KOHLEBÜRSTE	ESCOBOLLA MOTOR
22		T1700002	1	PORTASPAZZOLE	CARBON BRUSH	PORTE-CHARBON	KOHLEBÜRSTENHALTERUNG	PORTAESCOBILLAS
23		R3817040	1	PIASTRA SUPPORTO MOTORE	PLATE	PLAQUE	TELLER	PLACA
40	b		-	GRANO M6x10 UNI 5929	DOWEL	VIS	MANDENSCHRAUBE	TORNILLO
40A	bt		-	GRANO M6x10 UNI 5929	DOWEL	VIS	MANDENSCHRAUBE	TORNILLO
41			-	VITE M6x20 TE UNI 5739	SCREW	VIS	SCHRAUBE	TORNILLO
42			-	RONDELLA Ø 6x12 UNI 6592	WASHER	RONDELLE	SCHEIBE	ARANDELA
43			-	DADO M6 AUTOBL. UNI 7473	NUT	ECROU	MUTTER	TUERCA
44			-	VITE M8x20 UNI 5739	SCREW	VIS	SCHRAUBE	TORNILLO
45			-	RONDELLA Ø 8 DENT.	WASHER	RONDELLE	SCHEIBE	ARANDELA
46			-	RONDELLA Ø 8x24 UNI 6592	WASHER	RONDELLE	SCHEIBE	ARANDELA
47			-	VITE M8x16 TE UNI 5739	SCREW	VIS	SCHRAUBE	TORNILLO
48*			-	VITE M8x35 TE UNI 5739	SCREW	VIS	SCHRAUBE	TORNILLO
48**			-	VITE M8x40 TE UNI 5739	SCREW	VIS	SCHRAUBE	TORNILLO
49			-	RONDELLA Ø8x17 UNI 6592	WASHER	RONDELLE	SCHEIBE	ARANDELA
50			-	DADO M8 AUTOBL. UNI 7473	NUT	ECROU	MUTTER	TUERCA
51			-	VITE M6x16 TE UNI 5739	SCREW	VIS	SCHRAUBE	TORNILLO
52			-	RONDELLA Ø6 DENT.	WASHER	RONDELLE	SCHEIBE	ARANDELA
53			-	RONDELLA Ø6x18 UNI 6592	WASHER	RONDELLE	SCHEIBE	ARANDELA
54			-	VITE M8x20 TE UNI 5739	SCREW	VIS	SCHRAUBE	TORNILLO

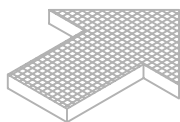
*	→	02 3807 3451
**	→	02 3807 3452
*	→	02 3807 3453
**	→	02 3807 3454
*	→	06/2003
**	→	06/2003



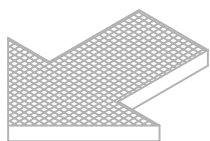
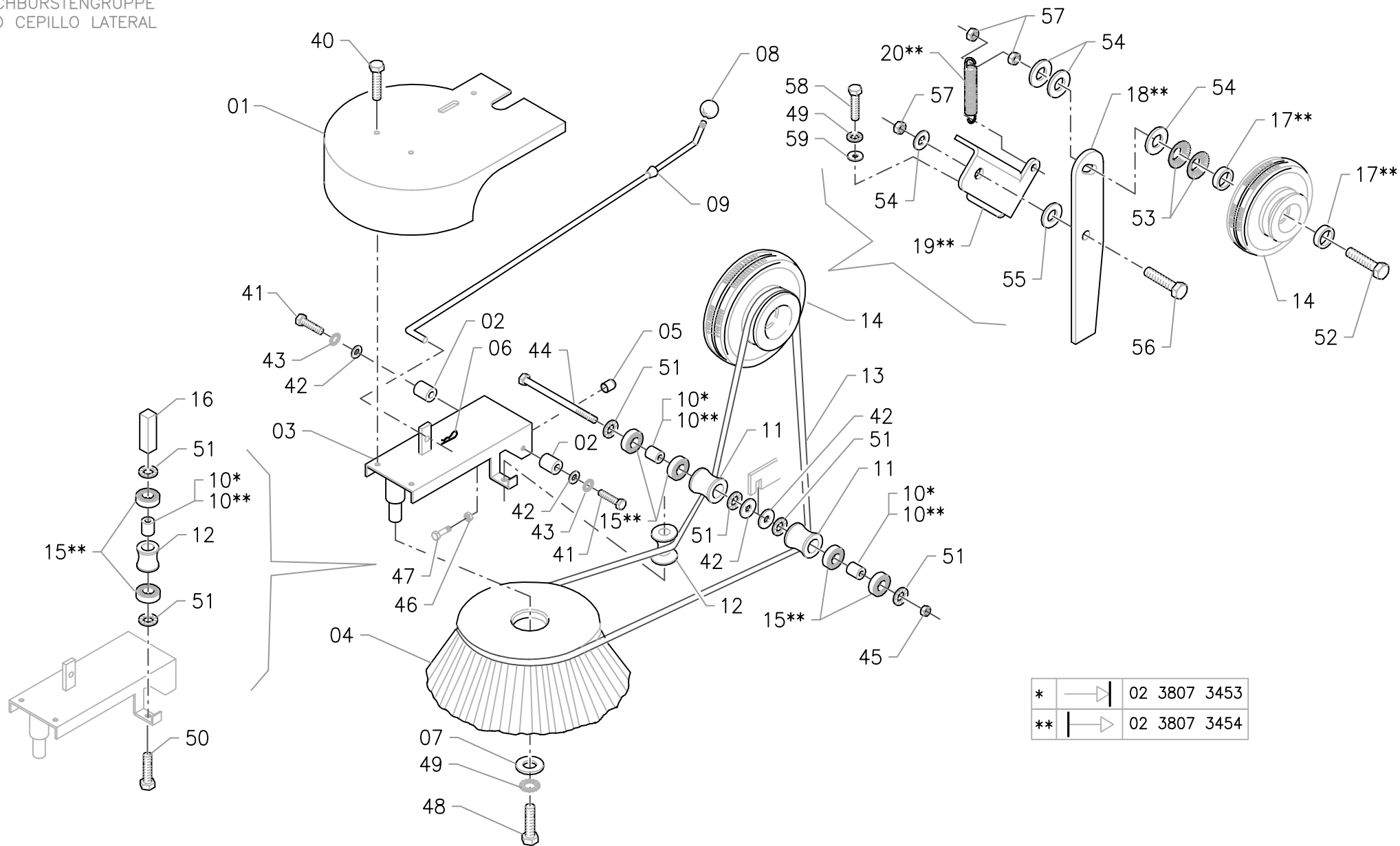
Pos.	Mod.	Codice	Q.tà	Denominazione	Description	Description	Benennung	Descripcion
01		R3141190	1	RONDELLA	WASHER	RONDELLE	SCHEIBE	ARANDELA
02		T5410001	1	VENTOLA	FAN	VENTILATEUR	VENTILATOR	VENTILADOR
03		T0110030	1	CINGHIA TRAP. SPAX 757	BELT	COURROIE	RIEMEN	CORREA
04	h	E9438040	1	PULEGGIA	PULLEY	POULIE	RIEMENSCHLEIBE	POLEA
04A	ht	E9440080	1	PULEGGIA	PULLEY	POULIE	RIEMENSCHLEIBE	POLEA
05A		E9410370	1	PULEGGIA MOTORE	PULLEY	POULIE	RIEMENSCHLEIBE	POLEA
06		T0400001	1	LINGUETTA MOTORE	TONGUE	LANGUETTE	PASSFEDER	CLAVETA
07		T0541701	2	SUPPORTO BPFL 203 2	SUPPORT	SUPPORT	HALTERUNG	SOPORTE
08		R3117050	1	RULLO TRAZIONE	TRACTION ROLL	ROLLEAU DE TRACION	ATRIEBSROLLE	ROLDILLO DE TRACCION
09		E9431030	1	PULEGGIA	PULLEY	POULIE	RIEMENSCHLEIBE	POLEA
10		E8735010	4	ANTIVIBRANTE	VIBRATION-DAMPING	ANTIVIBRATOIRE	SCHWINGUNGSDAEMPFE	ANTIVIBRADOR
11		R3816060	1	SUPPORTO	SUPPORT	SUPPORT	HALTERUNG	SOPORTE
12A		R3230110	4	DISTANZIALE	SPACER	ENTRETOISE	DISTANZHÜLSE	DISTANCIADOR
13A		E8290004	1	MOTORE HONDA	MOTOR	MOTEUR	MOTOR	MOTOR
13B		E8990015	1	MOTORE HONDA 3HP GX100	MOTOR	MOTEUR	MOTOR	MOTOR
15		R3857010	1	DEFLETTORE TUBO	BAFFLE	DEFLECTEUR	ABWEISER	DESVIADOR
16		T1400002	4	RIVETTO	RIVET	RIVET	SCHRAUBE	RIVET
17A		T4540008	1	PORTAGOMMA	CONNECTOR	RACCORD	SCHLAUCHANSCHLUSS	PORTA-GOMA
18		T422005	2	FASCETTA A VITE 11-17	CLAMP	COLLIER	LAGGERING	ANILLO
19		E7510340	1	TUBO VITREO	PIPE	TUYAU	ROHR	TUBO
20A		T0910632	1	VITE TE SPECIALE	SCREW	VIS	SCHRAUBE	TORNILLO
21		R3807040	1	BRACCIO TENDICINGHIA	ARM	BRAS	ARM	BRAZO
22		R3817050	1	PERNO	PIN	AXE	BOLZEN	PERNO
23		T0210002	1	SEEGER I 35	SEEGER RING	SERRE CLIPS	SEEGERRING	ANILLO SEEGER
24		T0511502	1	CUSCINETTO 6202-2RS1	BEARING	ROULEMENT	LAGER	COJINETE
25		R3807030	1	RULLO TENDICINGHIA	ROLLER	GALET	ROLLE	RODILLO
26		E9220010	1	MOLLA	SPRING	RESSORT	FEDER	RESORTE
27		R3117040	1	ALBERO RINVIO	SCHAFT	ARBRE	WELLE	EJE
28		R3857020	1	TUBO DI SCARICO	EXHAUST PIPE	FLEXIBLE DE VIDANGE	ABWASSERSCHLAUCH	TUBO DE ESCAPE
30A		-	-	RONDELLA Ø 6 GROWER	WASHER	RONDELLE	SCHEIBE	ARANDELA
31		-	-	RONDELLA Ø 6x18 UNI 6592	WASHER	RONDELLE	SCHEIBE	ARANDELA
32		-	-	VITE M6x20 TE UNI 5739	SCREW	VIS	SCHRAUBE	TORNILLO
33		-	-	RONDELLA Ø 6x12 UNI 6592	WASHER	RONDELLE	SCHEIBE	ARANDELA
34		-	-	DADO M6 AUTOBL. UNI 7473	NUT	ECROU	MUTTER	TUERCA
35	h	-	-	GRANO M6x10 UNI 5929	DOWEL	VIS	MANDENSCHRAUBE	TORNILLO
35A	ht	-	-	GRANO M6x16 UNI 5929	DOWEL	VIS	MANDENSCHRAUBE	TORNILLO
36A		-	-	VITE M8x35 TE UNI 5739	SCREW	VIS	SCHRAUBE	TORNILLO
37		-	-	RONDELLA Ø 8x17 UNI 6592	WASHER	RONDELLE	SCHEIBE	ARANDELA
38		-	-	DADO M8 AUTOBL. UNI 7474	NUT	ECROU	MUTTER	TUERCA
39		-	-	VITE M10x25 TE UNI 5739	SCREW	VIS	SCHRAUBE	TORNILLO
40		-	-	VITE M8x30 TE UNI 5739	SCREW	VIS	SCHRAUBE	TORNILLO
41		-	-	RONDELLA Ø 8x24 UNI 6592	WASHER	RONDELLE	SCHEIBE	ARANDELA
42		-	-	DADO M8 UNI 5588	NUT	ECROU	MUTTER	TUERCA
43		-	-	VITE M8x25 TE UNI 5739	SCREW	VIS	SCHRAUBE	TORNILLO



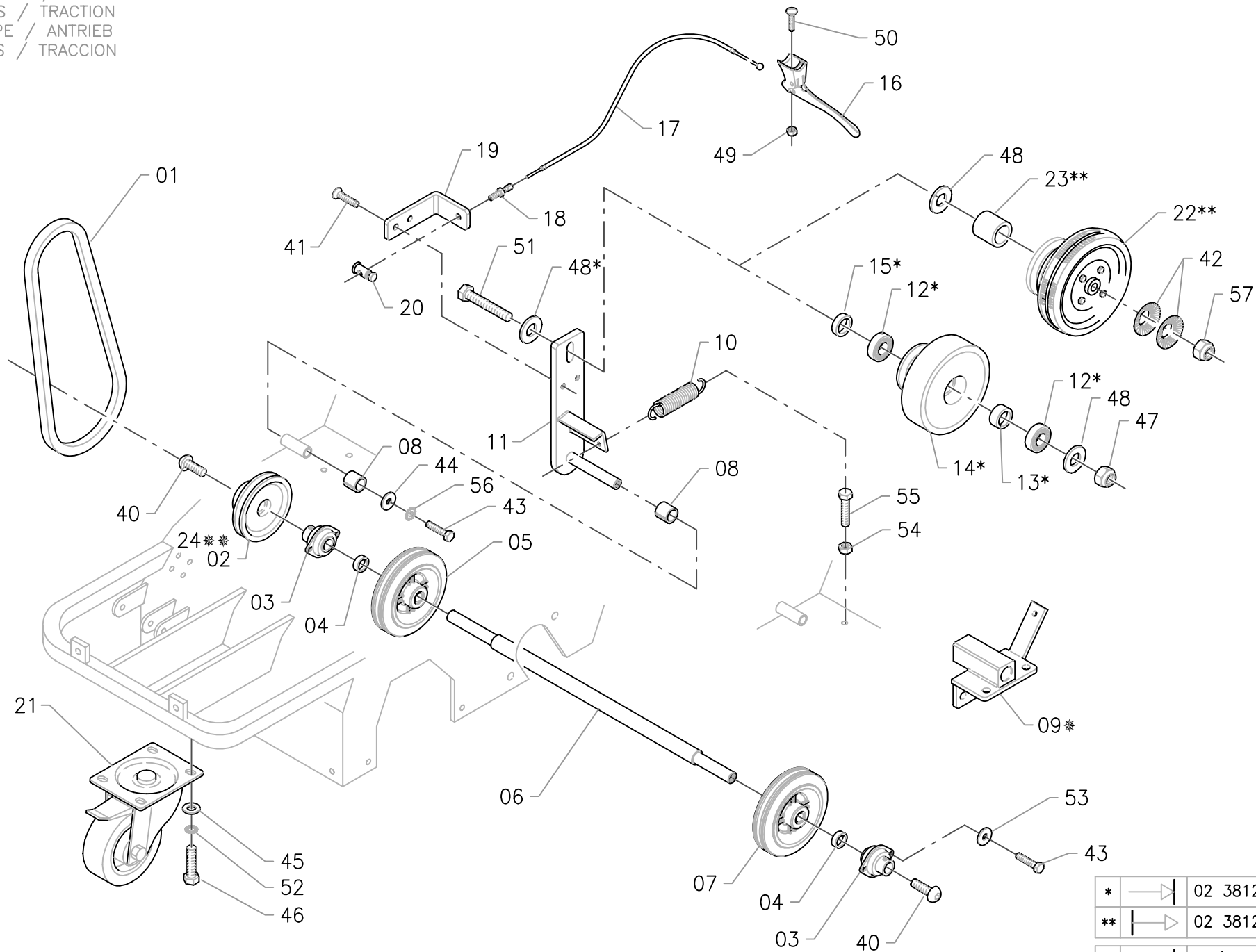
*		02 3807 3451
**		02 3807 3452



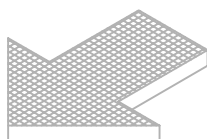
Pos.	Mod. Codice	Q.tà	Denominazione	Description	Description	Benennung	Descripcion
01	R3807010	1	PERNO SPAZZOLA DX	PIN	PIVOT	BOLZEN	EJE
02	T0511501	3	CUSCINETTO	BEARING	COUSSINET	LAGER	COJNETE
03	E9431060	1	PULEG. TRSC. SPAZZ.	PULLEY	POULIE	RIEMENSCHLEIBE	POLEA
04*	T0150004	1	CINGHIA ELASTICA 8x780	BELT	COURROIE	RIEMEN	CORREA
04**	T0110031	1	CINGHIA TRAPEZOIDALE	BELT	COURROIE	RIEMEN	CORREA
05	T0220001	2	ANELLO EST. 15	RING	BAGUE	RING	ANILLO
06	E6831010	1	SPAZZOLA CENTRALE	BRUSH	BROSSE	BURSTE	CEPILLO
07	R3107010	1	PORTASPAZZOLA CENTRALE	BRUSH HOLDER	PORTE-BROSSE	BURSTENHALTER	PORTA-CEPILLO
08	T0210001	2	ANELLO INT. 32	RING	BAGUE	RING	ANILLO
09	R3807020	1	PERNO SPAZZOLA SN	PIN	PIVOT	BOLZEN	EJE
10	T4008001	1	POMELLO	KNOB	POIGNEE	KUGELGRIFF	POMO
11	R3841110	1	MANETTA DI CHIUSURA	HANDLE	MENOTTES	HANDSCHELLE	MANETA
12	E9220150	1	MOLLA	SPRING	RESSORT	FEDER	RESORTE
13	R3841080	1	PERNO CHIUSURA	PIN	PIVOT	BOLZEN	EJE
14	R3841021	1	CORPO CONVOGLIATORE	CONVEYOR	CONVEYEUR	KUHLERHAUBE	CONVOYADOR
15	T0220003	1	ANELLO EST.17	RING	BAGUE	RING	ANILLO
16	R3841060	1	CHIUSURA ASPIRATORE	DOOR	PORTE	TUR	PORTILLO
17	R3841022	1	COPERCHIO CONVOGL.	COVER	COUVERCLE	DECKEL	TAPA
18	T1400001	9	RIVETTO 6.4x19 NYLON	RIVET	RIVET	SCHRAUBE	RIVET
19	T1118001	1	ROSETTA 18x30x3 NYLON	WASHER	RONDELLE	SCHEIBE	ARANDELA
20**	R3807030	1	RULLO TENDICINGHIA	ROLLER	GALET	ROLLE	RODILLO
21**	T0511502	1	CUSCINETTO 6202-2RS1	BEARING	ROULEMENT	LAGER	COJINETE
22**	T0210002	1	SEEGER I 35	SEEGER RING	SERRE CLIPS	SERRE CLIPS	ANILLO SEEGER
23**	R3817050	1	PERNO	PIN	AXE	BOLZEN	PERNO
24**	R3807040	1	BRACCIO TENDICINGHIA	ARM	BRAS	ARM	BRAZO
25**	E9220010	1	MOLLA	SPRING	RESSORT	FEDER	RESORTE
26	R3816090	1	SUPPORTO TELAIO DX	SUPPORT	SUPPORT	LAGER	SOPORTE
40	-	-	DADO M5 AUT. UNI 7473	NUT	ECROU	MUTTER	TUERCA
41	-	-	VITE 5x25 UNI 5739	SCREW	VIS	SCHRAUBE	TORNILLO
42	-	-	ROSETTA M4 UNI 6592	WASHER	RONDELLE	SCHEIBE	ARANDELA
43	-	-	VITE TE M4x16 UNI 5739	SCREW	VIS	SCHRAUBE	TORNILLO
44	-	-	VITE M8x30 UNI 5739	SCREW	VIS	SCHRAUBE	TORNILLO
45	-	-	ROSETTA M8x24 UNI 6593	WASHER	RONDELLE	SCHEIBE	ARANDELA
46	-	-	VITE TE M8x25 UNI 5739	SCREW	VIS	SCHRAUBE	TORNILLO
47	-	-	DADO M8 AUT. UNI 7473	NUT	RCROU	MUTTER	TUERCA



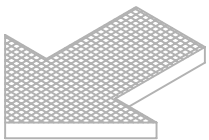
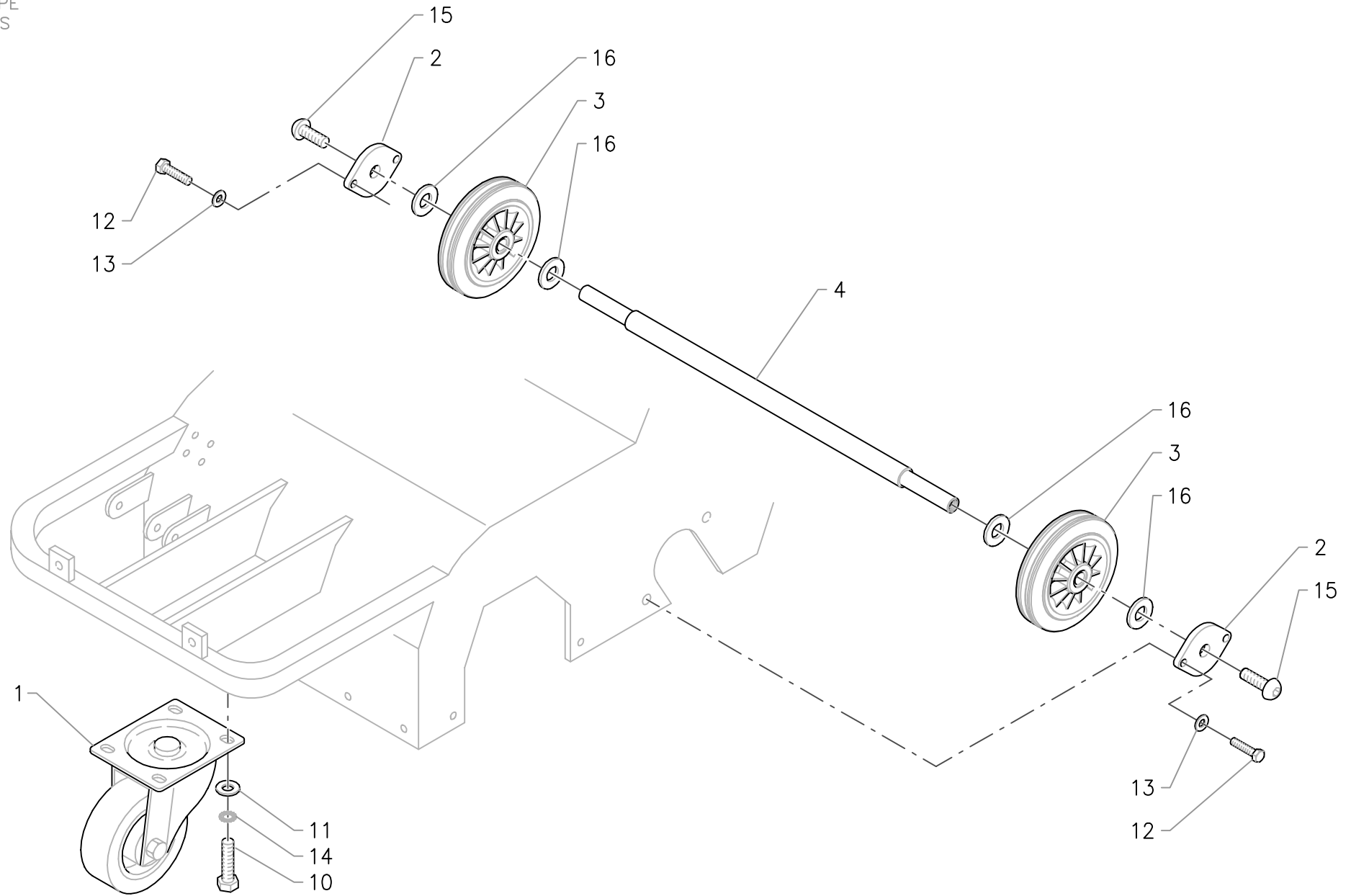
Pos.	Mod. Codice	Q.tà	Denominazione	Description	Description	Benennung	Descripcion
01	R3846030	1	CARTER	COVER	CARTER	SCHUTZ	CARTER
02	R3802030	2	CUSCINETTO	BUSHING	DOUILLE	BUCHSE	CASQUILLO
03	R3808010	1	BRACCIO	ARM	BRAS	ARM	BRAZO
04	ES838010	1	SPAZZOLA	BRUSH	BROSSE	BURSTE	CEPILLO
05	T4806004	1	PIEDINO Ø 8	FOOT	PIEDS	FUSS	BASE
06	T1502001	1	COPIGLIA	SPLIT SPIN	GOUPILLE	SPLINT	PASADOR DE ALETAS
07	R3808020	1	RONDELLA SPECIALE	WASHER	RONDELLE	SCHEIBE	ARANDELA
08	T4008001	1	POMELLO	KNOB	POIGNEE	KUGELGRIFF	POMO
09	R3808030	1	LEVA	LEVER	LEVIER	HEBEL	PALANCA
10*	E9138020	3	BOCCOLA	BUSHING	DOUILLE	BUCHSE	CASQUILLO
10**	E9001030	3	BOCCOLA	BUSHING	DOUILLE	BUCHSE	CASQUILLO
11	R3803040	2	RULLINO Ø 35	ROLLER	ROULEAU	ROLLE	RODILLO
12	R3803020	1	RULLINO Ø 26	ROLLER	ROULEAU	ROLLE	RODILLO
13	T0150005	1	CINGHIA ELASTICA ROSSA	BELT	COURROIE	RIEMEN	CORREA
14	E7030440	1	RUOTA CON PULEGGIA	PULLEY	POULIE	RIEMENSCHIEBE	POLEA
15**	T0510801	6	CUSCINETTO A SFERE 688 ZZ	BEARING	ROULEMENT	LAGER	COJINETE
16**	R3808050	1	PERNO	PIN	AXE	BOLZEN	PERNO
17**	E9000350	2	DISTANZIALE	SPACER	ENTRETOISE	ABSATNDSSTUCK	SEPARADOR
18**	R3808060	1	BRACCIO	ARM	BRAS	ARM	BRAZO
19**	R3808070	1	SUPPORTO	SUPPORT	SUPPORT	LAGER	SOPORTE
20**	E9220120	1	MOLLA	SPRING	RESSORT	FEDER	RESORTE
40	-	-	VITE TCTC M5x16 UNI 7686	SCREW	VIS	SCHRAUBE	TORNILLO
41	-	-	VITE8x20 UNI 5739	SCREW	VIS	SCHRAUBE	TORNILLO
42	-	-	ROSETTA M8x20 Ø24 UNI 6593	WASHER	RONDELLE	SCHEIBE	ARANDELA
43	-	-	ROSETTA Ø 8 GROWER	WASHER	RONDELLE	SCHEIBE	ARANDELA
44	-	-	VITE TE 8x70 UNI 5739	SCREW	VIS	SCHRAUBE	TORNILLO
45	-	-	DADO M8 AUT. UNI 7474	NUT	ECROU	MUTTER	TORNILLO
46	-	-	DADO M8 UNI 5587	NUT	ECROU	MUTTER	TUERCA
47	-	-	VITE TE 8x50 UNI 5739	SCREW	VIS	SCHRAUBE	TORNILLO
48	-	-	VITE TE 6x16 UNI 5739	SCREW	VIS	SCHRAUBE	TORNILLO
49	-	-	ROSETTA Ø 6 GROWER	WASHER	RONDELLE	SCHEIBE	ARANDELA
50	-	-	VITE M8x40 UNI 5739	SCREW	VIS	SCHRAUBE	TORNILLO
51	-	-	RONDELLA Ø 8 SCHNORR	SPLIT WASHER	RONDELLE ELASTIC	FEDERRING	ARANDELA
52	-	-	VITE TE 10x80 UNI 5739	SCREW	VIS	SCHRAUBE	TORNILLO
53	-	-	RONDELLA Ø10 SCHNORR	SPLIT WASHER	RONDELLE ELASTIC	FEDERRING	ARANDELA
54	-	-	RONDELLA Ø10x21 UNI 6592	WASHER	RONDELLE	UNTERLAGSCHEIBE	ARANDELA
55	-	-	RONDELLA Ø10x30 UNI 6592	WASHER	RONDELLE	UNTERLAGSCHEIBE	ARANDELA
56	-	-	VITE TE 10x30 UNI 5739	SCREW	VIS	SCHRAUBE	TORNILLO
57	-	-	DADO M10 AUT. UNI 7474	NUT	ECROU	MUTTER	TUERCA
58	-	-	VITE TE 6x20 UNI 5739	SCREW	VIS	SCHRAUBE	TORNILLO
59	-	-	RONDELLA Ø6x12 UNI 6592	WASHER	RONDELLE	UNTERLAGSCHEIBE	ARANDELA



*	→	02 3812 5260
**	→	02 3812 5261
*	→	05/2002
**	→	11/2003



Pos.	Mod. Codice	Q.tà	Denominazione	Description	Description	Benennung	Descripcion
01	T0110010	1	CINGHIA A39	BELT	COURROIE	RIEMEN	CORREA
02	E9410300	2	PULEGGIA	PULLEY	POULIE	RIEMENSCHLEIBE	POLEA
03	T0541701	2	SUPPORTO BPFL 203 2	SUPPORT	SUPPORT	HALTERUNG	SOPORTE
04	E9018020	2	DISTANZIALE	SPACER	ENTRETOISE	DISTANZHÜLSE	DISTANCIADOR
05	E7010230	1	RUOTA DX	WHEEL	ROUE	RAD	RUEDA
06	R3817010	1	ALBERO	SHAFT	ARBRE	LENKWELLE	EJE
07	E7010240	1	RUOTA SN	WHELL	ROUE	RAD	RUEDA
08	E9100330	2	BOCCOLA	BUSHING	BAGUE	BUCHSE	CASQUILLO
09*	R3817030	1	SUPPORTO	SUPPORT	SUPPORT	HALTERUNG	SOPORTE
10	E9220010	1	MOLLA	SPRING	RESSORT	FEDER	RESORTE
11	R3817020	1	BRACCIO	ARM	BRAS	ARM	BRAZO
12*	T0511001	2	CUSCINETTO	BEARING	ROULEMENT	LAGER	COJINETE
13*	E9000300	1	DISTANZIALE	SPACER	ENTRETOISE	DISTANZHÜLSE	DISTANCIADOR
14*	R3128030	1	PULEGGIA	PULLEY	POULIE	RIEMENSCHLEIBE	POLEA
15*	E9000290	1	DISTANZIALE	SPACER	ENTRETOISE	DISTANZHÜLSE	DISTANCIADOR
16	T4802016	1	LEVA	LEVER	LEVIER	HEBEL	PALANCA
17	R3817070	1	CAVO	CABLE	CABLE	KABEL	CABLE
18	T4802004	1	REGISTRO	ADJUSTER	REGISTRE	REGISTER	REGULADOR
19	R3817060	1	STAFFA	SUPPORT	ATTAQUE	HALTERUNG	SOPORTE FIJADOR
20	T4803047	1	MORSETTO	HOLDFAST	ETAU	ZWINGE	ABRAZADERA
21	E7050130	1	RUOTA PIVOTTANTE	CASTOR WHEEL	ROULETTE PIVOTANTE	LENKROLLE	RUEDA PIVOTANTE
22**	E7030440	1	RUOTA CON PULEGGIA	PULLEY	POULIE	RIEMENSCHLEIBE	POLEA
23**	E9000340	1	DISTANZIALE	SPACER	ENTRETOISE	DISTANZHÜLSE	DISTANCIADOR
24	E9410430	1	PULEGGIA TRAZIONE Ø100	PULLEY	POULIE	RIEMENSCHLEIBE	POLEA
40	-	-	VITE M12x20 TBEI ISO 7380	SCREW	VIS	SCHRAUBE	TORNILLO
41	-	-	VITE M6x14 TPSEI UNI 5933	SCREW	VIS	SCHRAUBE	TORNILLO
42	-	-	RONDELLA Ø10 SCHNORR	SPLIT WASHER	RONDELLE ELASTIC	FEDERRING	ARANDELA
43	-	-	VITE M6x16 TE UNI 5739	SCREW	VIS	SCHRAUBE	TORNILLO
44	-	-	RONDELLA Ø6x24 UNI 6593	WASHER	RONDELLE	SCHEIBE	ARANDELA
45	-	-	RONDELLA Ø8x17 UNI 6593	WASHER	RONDELLE	SCHEIBE	ARANDELA
46	-	-	VITE M8x25 TE UNI 5739	SCREW	VIS	SCHRAUBE	TORNILLO
47	-	-	DADO M10 AUTOBL. UNI 7474	NUT	ECROU	MUTTER	TUERCA
48	-	-	RONDELLA Ø10x21 UNI 6592	WASHER	RONDELLE	SCHEIBE	ARANDELA
49	-	-	DADO M5 UNI 5588	NUT	ECROU	MUTTER	TUERCA
50	-	-	VITE M5x70 TTDE UNI 5732	SCREW	VIS	SCHRAUBE	TORNILLO
51	-	-	VITE M10x65 TE UNI 5737	SCREW	VIS	SCHRAUBE	TORNILLO
52	-	-	RONDELLA Ø8 GROWER	WASHER	RONDELLE	SCHEIBE	ARANDELA
53	-	-	RONDELLA Ø6x12 UNI 6592	WASHER	RONDELLE	SCHEIBE	ARANDELA
54	-	-	DADO M8 UNI 5587	NUT	ECROU	MUTTER	TUERCA
55	-	-	VITE M8x45 TE UNI 5739	SCREW	VIS	SCHRAUBE	TORNILLO
56	-	-	RONDELLA Ø6 GROWER	WASHER	RONDELLE	SCHEIBE	ARANDELA
57	-	-	DADO M10 UNI 55589 A2	NUT	ECROU	MUTTER	TUERCA



Pos.	Mod.	Codice	Q.tà	Denominazione	Description	Description	Benennung	Descripcion
01		E7050090	1	RUOTA PIVOTTANTE	CASTOR WHEEL	ROULETTE PIVOTANTE	LENKROLLE	RUEDA PIVOTANTE
02		R3816100	2	SUPPORTO	SUPPORT	SUPPORT	HALTERUNG	SOPORTE
03		E7010250	2	RUOTA	WHEEL	ROUE	RAD	RUEDA
04		R3816110	1	ALBERO	SHAFT	ARBRE	LENKWELLE	EJE
10	-		-	VITE M8x25 TE UNI 5739	SCREW	VIS	SCHRAUBE	TORNILLO
11	-		-	RONDELLA Ø8x17 UNI 6592	WASHER	RONDELLE	SCHEIBE	ARANDELA
12	-		-	VITE M6x16 TE UNI 5739	SCREW	VIS	SCHRAUBE	TORNILLO
13	-		-	RONDELLA Ø6x12 UNI 6592	WASHER	RONDELLE	SCHEIBE	ARANDELA
14	-		-	RONDELLA Ø8 GROWER	WASHER	RONDELLE	SCHEIBE	ARANDELA
15	-		-	VITE M12x20 TBEI ISO 7380	SCREW	VIS	SCHRAUBE	TORNILLO
16	-		-	RONDELLA Ø20x37 UNI 6592	WASHER	RONDELLE	SCHEIBE	ARANDELA

