

# PS28

**ORDER #87051**

## 28" Propane Stripping Machine

### FEATURES

- 28" Stripping path
- 11 hp Honda engine
- Electric starter
- Large non-marking transport wheels
- Variable speed
- Enclosed belt drive system
- Total-grip adjustable handle assembly
- Splash guard

Betco propane stripping machines are designed for maximum performance and productivity. The powerful 11 hp Honda engine delivers the power necessary to remove tough soils and finishes from floor surfaces. You'll be amazed by the results this machine produces. All Betco machines are built with the highest quality components, which means durability, safety and performance.

### WARRANTY

The 11 hp Honda engine is warranted by Honda for 2 years against manufacturer's defect.

All other components (except wear items)\* are warranted by Betco for 3 years.

\*Wear items not covered under warranty are: wheels, filters, throttle cable, pad driver and handle grips.

\*Please refer to Betco Equipment Price/Product Guide for complete equipment warranty information.

**Authorized Betco Distributor:**



### SPECIFICATIONS

- Brush Speed: Variable, 200 - 350 RPM
- Brush Size: 28"
- Engine: 11 hp Honda
- Electric Start System: 110 volt
- Propane Tank: Included
- Weight: 275 lbs.

### APPLICATIONS

- Heavy duty wet stripping

**Better Resources. Better Results.**  
**BETCO**®

1001 Brown Avenue • P.O. Box 3127 • Toledo, Ohio 43607-0127  
©All Rights Reserved 3/99 • Reorder #87051

# BETCO BETTER SOLUTIONS

## OFFERING THE TOTAL SOLUTION.

*Betco is now the only manufacturer with a complete line of products for the cleaning professional.*



*Complete Floor Machine, Vacuum and Scrubber Line.*



*Complete Carpet Care Program.*



*Complete Training Programs.*



*Complete Chemical Programs, Cleaners, Floor Care and specialties.*



*Complete Hand Cleaner Line.*



*Nationwide Support.*

*Let Betco be your single source manufacturer.*

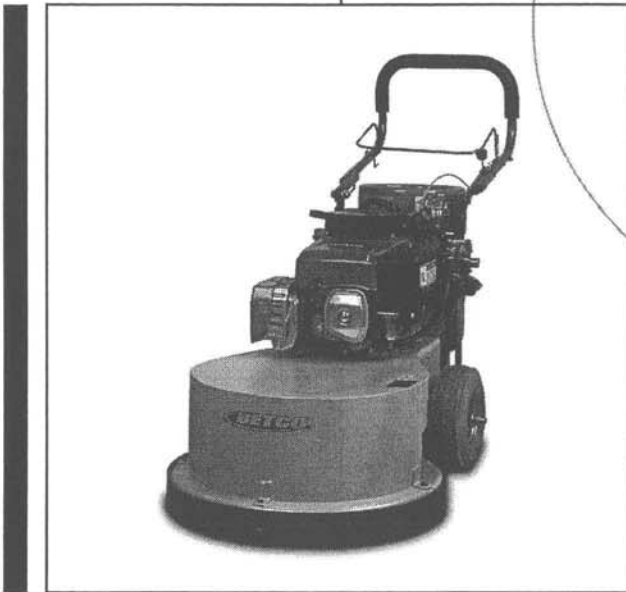
*Better Solutions Come From...*

**BETCO**®

# PS28 28" Propane Stripping Machine

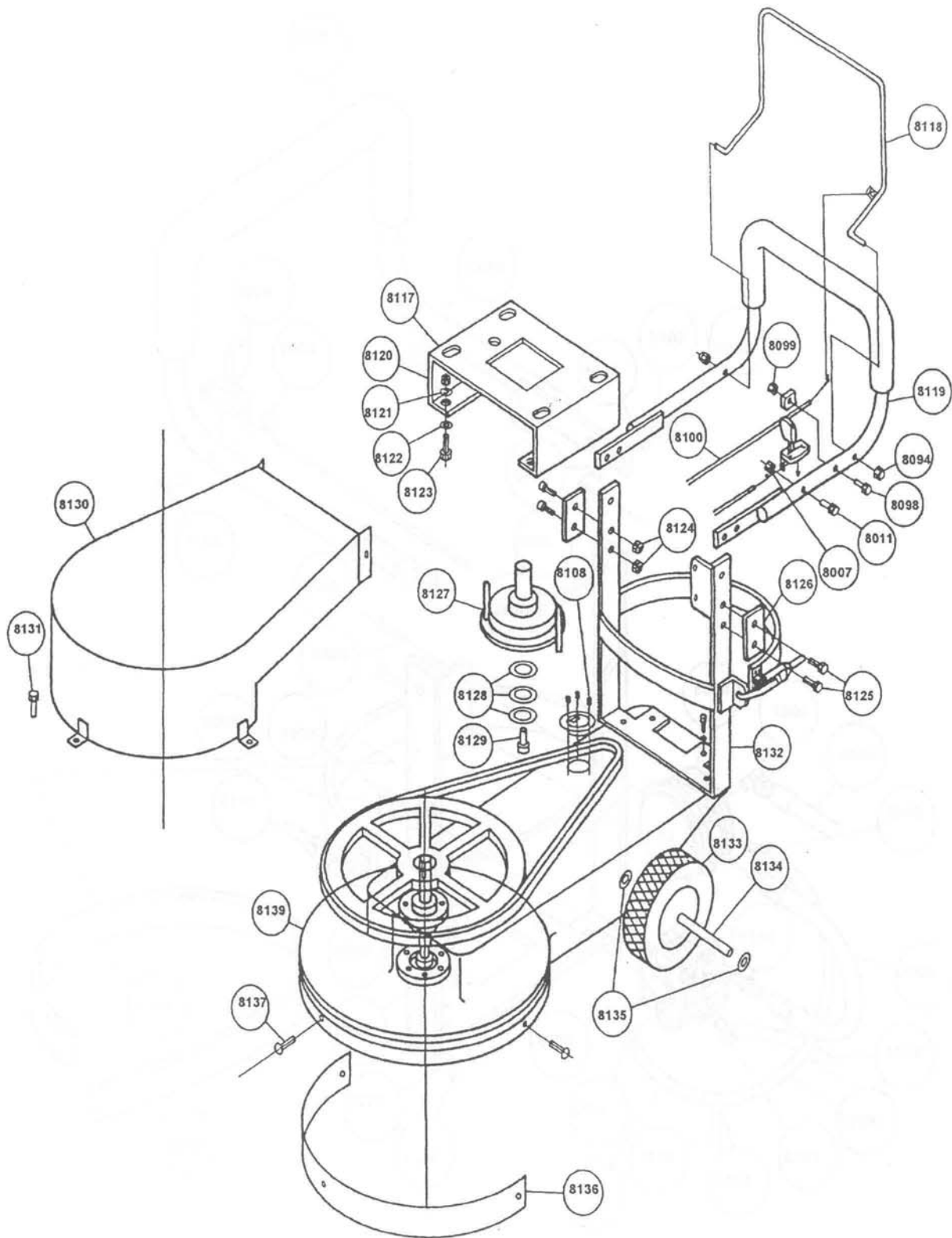
## Parts Schematic

Item #87051

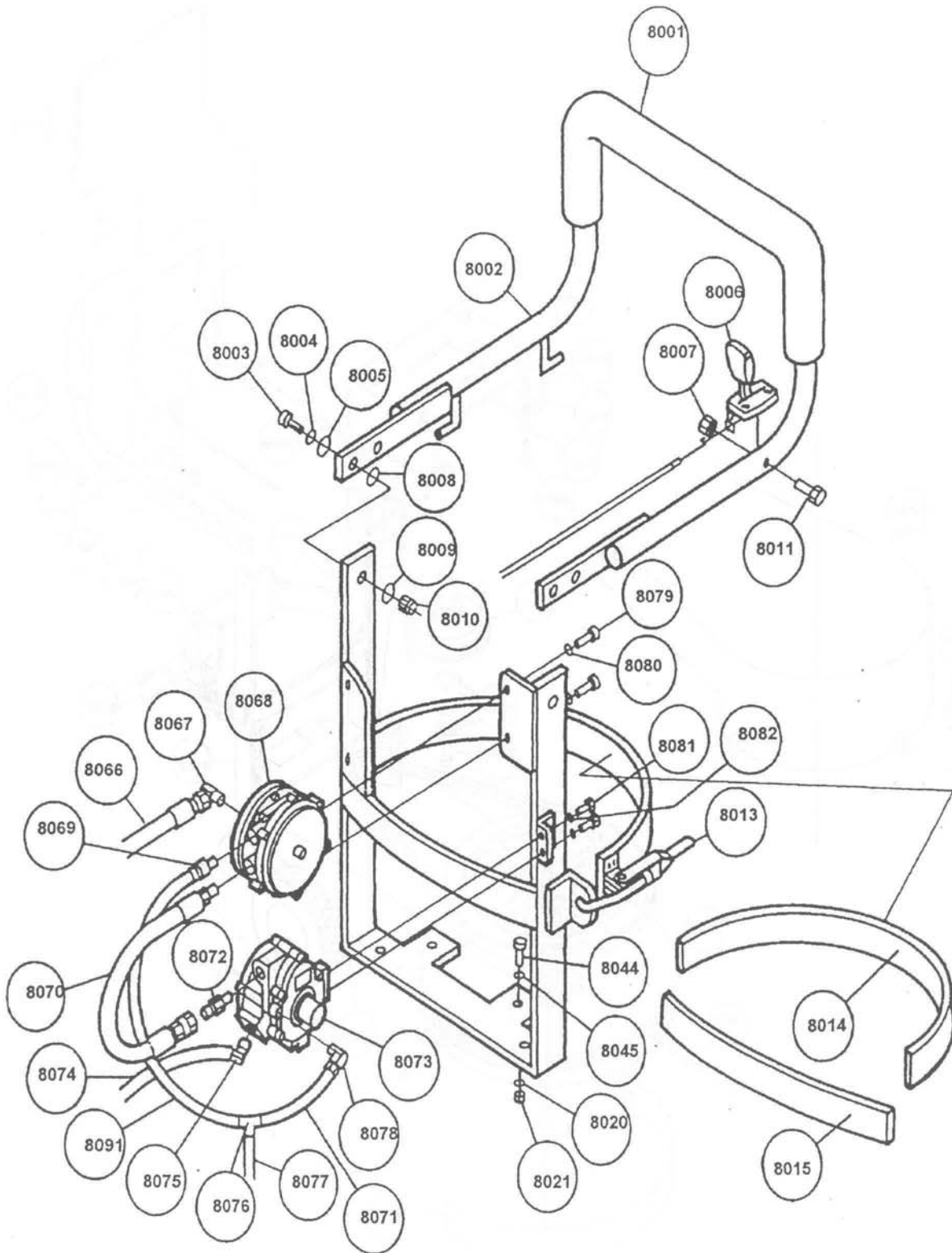


Better Resources. Better Results.  
**BETCO**®

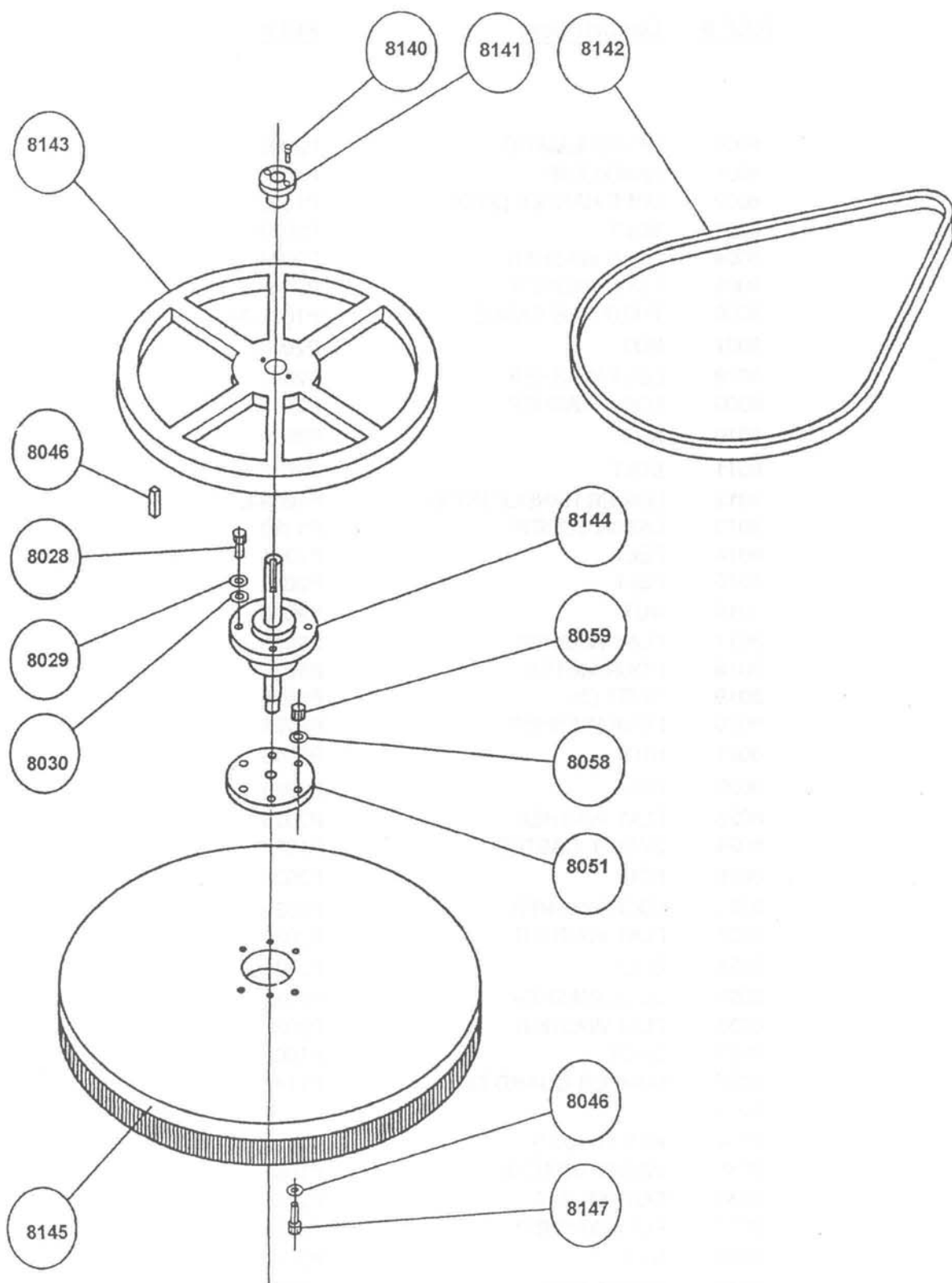
# 87051 28" Propane Stripping Machine Parts Schematic



# 87051 28" Propane Stripping Machine Parts Schematic



# 87051 28" Propane Stripping Machine Parts Schematic



## 87051 28" Propane Stripping Machine Parts Schematic

<u>REF #</u>	<u>Description</u>	<u>PBI #</u>
8000	28" SCHEMATIC	P2002
8001	HAND GRIP	P1077
8002	UPPE HANDLE (STD)	P1063
8003	BOLT	P2003
8004	LOCK WASHER	P2004
8005	FLAT WASHER	P2005
8006	THROTTLE CABLE	P1068-34
8007	NUT	P2006
8008	LOCK WASHER	P2007
8009	LOCK WASHER	P2008
8010	NUT	P2009
8011	BOLT	P2010
8012	LOWER HANDLE (STD)	P1063-L
8013	LATCH SCREW	P1130
8014	FELT	P2011
8015	FELT	P2012
8016	NUT	P2020
8017	FLAT WASHER	P2023
8018	HOUR METER	P1076
8019	RIVET (3)	P2024
8020	LOCK WASHER	P2025
8021	NUT	P2019
8022	BOLT	P2026
8023	FLAT WASHER	P2025
8024	SWIVEL CASTER	P1074
8025	BOLT	P2028
8026	LOCK WASHER	P2029
8027	FLAT WASHER	P2030
8028	BOLT	P2031
8029	LOCK WASHER	P2032
8030	FLAT WASHER	P2033
8031	DECK	P1004
8032	BUMPER GUARD 76"	P1143
8033		
8034	WHEEL AXLE	P2034
8035	WHEEL BRACKET	P1051
8036	COTTER PIN	P2035
8037	FLAT WASHER	P2025
8038	NUT	P2019
8039	FRONT END	P1050
8040	IDLER PULLEY	P1025
8041	BELT TENSIONER	P1071

## 87051 28" Propane Stripping Machine Parts Schematic

<u>REF #</u>	<u>Description</u>	<u>PBI #</u>
8042	6" WHEEL	P1073
8043	WHEEL SPACER (2)	P2033
8044	BOLT	P2026
8045	FLAT WASHER	P2025
8046	KEY STOCK	P1036
8047	PULLEY	P1020
8048	BUSHING	P1021
8049	BELT	P1118
8050	BOLT	P2034
8051	PLATE	P1047
8052	BOLT (6)	P2027
8053	FLEX COUPLER	P1061
8054	BOLT (6)	P2027
8055	FLEX SPACER (6)	P1062
8056	PAD DRIVER	P1058
8057	CENTER DEVICE (MALE)	P1066-M
8058	WASHER	P2035
8059	NUT	P2019
8060	GRIPPER RING	P1065-27
8061	RIVET (6)	P2036
8062	FLOOR PAD	PAD28
8063	CENTER DEVICE (FEMALE)	P1066-F
8064		
8065		
8066	HOSE	P1006
8067	FITTING	P1013
8068	FUEL SHUTOFF	P1082-1
8069	FITTING	P1008
8070	HOSE	P1006
8071	VACUUM HOSE	P2013
8072	FITTING	P1011
8073	FUEL REGULATO	P1083-1
8074	FUEL HOSE	P2014
8075	FITTING	P1010
8076	VACUUM TEE	P2037
8077	VACUUM HOSE	P2015
8078	FITTING	P1012/P11
8079	BOLT	P2021
8080	LOCK WASHER	P2022
8081	BOLT	P2021
8082	LOCK WASHER	P2022
8083	BATTERY CABLE	P1133-9
8084	BATTERY CABLE	P1133-20
8085	CLUTCH ARM	P1064-4
8086	BATTERY COVER	P1053



## 87051 28" Propane Stripping Machine Parts Schematic

<u>Part #</u>	<u>Description</u>
8087	BATTERY TRAY
8088	NUT
8089	BATTERY BRACKET
8090	BOLT
8091	VACUUM HOSE
8092	BOLT
8093	BATTERY
8094	NUT
8095	NUT
8096	KEY
8097	KEY SWITCH
8098	BOLT
8099	NUT
8100	CABLE
8101	RIVET
8102	NUT
8103	KEY SWITCH BOX
8104	BOLT
8105	BOLT
8106	" I" BOLT
8107	SCREW
8108	SCREW
8109	SWITCH
8110	NUT
8111	NUT
8112	CLUTCH SWITCH BOX
8113	NUT
8114	SWITCH BOX COVER
8115	NUT
8116	SPRING
8117	MOTOR MOUNT
8118	CLUTCH BRAKE ARM
8119	UPPER HANDLE (STRIP)
8120	NUT
8121	WASHER
8122	WASHER
8123	BOLT
8124	NUT
8125	BOLT
8126	HANDLE BRACKET
8127	CLUTCH
8128	WASHER
8129	BOLT
8130	BELT SHROU

## 87051 28" Propane Stripping Machine Parts Schematic

<u>REF #</u>	<u>Description</u>	<u>PBI #</u>
8131	BOLT	P2052
8132	LOWER HANDLE (STRIP)	P1064-1
8133	PNEUMATIC WHEEL	P1041
8134	AXLE	P1042
8135	LOCK COLLARS (4)	P1043
8136	SPLASH GUARD	P1034-83
8137	BOLT	P2053
8138		
8139	DECK	P1004
8140	BOLT	P2054
8141	BUSHING	P1029
8142	BELT	P1033
8143	PULLEY	P1032
8144	FRONT END	P1045
8145	STRIP BRUSH	P1040
8146	WASHER	P2055
8147	BOLT	P2054