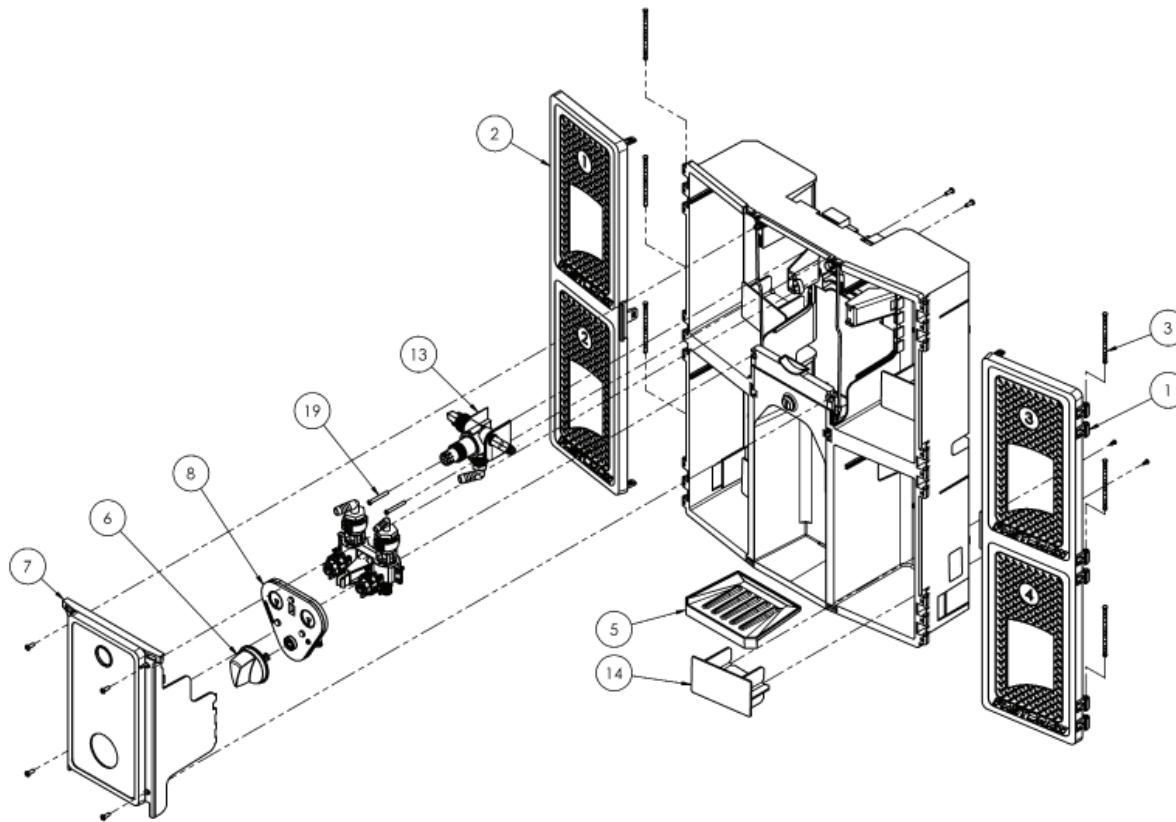




## Preventative Maintenance Schedule

End User Location:		Date Installed:		Dispenser Date Code: (Located Inside Dispenser)	
PERIOD	Check FASTDRAW Cap for Excess Chemical Build-Up	Check all hose connections between water supply line and outlet tubes.	Check INTERNAL valve systems for leaks.	Check tubing and check valve between bottle and INTERNAL Valves.	Other
6 MONTHS	X	X		X	
12 MONTHS	X	X	X	X	
18 MONTHS	X	X		X	
24 MONTHS	X	X	X	X	
30 MONTHS	X	X		X	
36 MONTHS	X	X	X	X	
42 MONTHS	X	X		X	
48 MONTHS	X	X	X	X	
54 MONTHS	X	X		X	
60 MONTHS	X	X	X	X	





**Check Fastdraw cap (Part #4) for excess build-up:**

- Check underside of cap for build up.
- Wipe with a clean cloth and water to remove buildup
- Ensure tubing (#20) is tightly connected to cap.

**Check all hose connections between water supply line and outlet tubes (part #2, #24, #13, #25)**

- Tighten leaky hose connections, if dispenser in-let leaks, replace strainer washer (#16). If inlet hose is leaking replace (#15).
- If leakage occurs around part (#20), replace part. If part #17 shows visible wear, replace as needed.
- Check inner tubes (#12), if cracked or visibly damaged, replace.

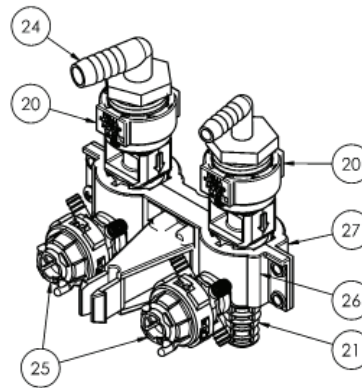
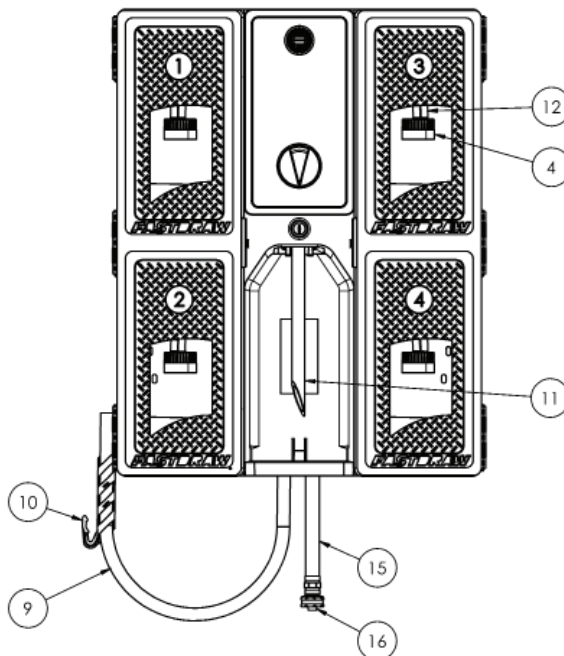
**Check valve assembly (#24, #20, and #25) for leaks:**

- If water is dripping out of one or both of the outlet tubes (#9 or #11), check to make sure the outlet tubes are securely on part #21 and #23 (not shown).
- If water is leaking out of the action gap (part #20, carefully tighten 1/4" turn). If it continues to leak, replace it.

**Check tubing (#12) between bottle and valve system:**

- Check several bottles for proper drawing. If every product is not drawing consistently, clean or replace cap assembly, (#4). Can be ordered as Betco part #9250200.

**DO NOT OVERTIGHTEN CAP! LIGHTLY HAND TIGHTEN ONLY! IF TOO TIGHT PRODUCT WILL NOT DRAW. LOOSEN CAP 1/4 TURN TO PRODUCE CONSISTENT CHEMICAL DRAW.**



# FASTDRAW PRO®

No.	Description	Qty.	Color	Part No.
1	Right Door	1	Gray	98532-00
2	Left Door	1	Gray	98533-00
3	Hinge Pins	6	Black	98534-00
4	Docking Caps	4	Gray	92502-00
5	Drip Tray	1	Red	98536-00
6	Selector Dial	1	Red	98537-00
7	Cover	1	Black	98538-00
8	Transmission	1	Gray	98539-00
9	Bucket Fill Hose (Action Gap)	1	Gray	98317-00
10	Bucket Fill Hose Hook	1	Gray	98315-00
11	Bottle Fill Hose (Action Gap)	1	Gray	98318-00
12	1/4" Vinyl Tubing (Bottle & Bucket Fill)	8	Clear	98351-00
13	Push Button Bucket Fill Assembly	1	Red	98540-00
14	Back Stop	4	Black	98541-00
15	Water Supply Hose	1	Black	98542-00
16	Strainer Washer	1	Black	98308-00
17	Wall Mounting Kit (4 Anchors & 4 Screws) <i>[not shown]</i>	4	White/Chrome	98543-00
18	Keys <i>[not shown]</i>	2	Chrome	98337-00
19	#8 Hi Lo Screw x 1/2" Long	12	Stainless Steel	98309-00

### Action Gap - Manifold Valve Assembly

20	Bucket Fill Action Gap - Back Flow Preventer	1	White	98312-00
21	Bucket Fill Proportioner	1	White	98313-00
22	Bottle Fill Action Gap - Back Flow Preventer	1	White	98312-00
23	Bottle Fill Proportioner <i>[not shown]</i>	1	Green	98314-00
24	Elbow Fittings	2	White	98545-00
25	Manifold Selector Valve	2	Black	98546-00
26	Manifold Valve Bracket Front	1	Gray	98547-00
27	Manifold Valve Bracket Back	1	Gray	98548-00

### Air Gap - Manifold Valve Assembly

28	Bucket Fill Air Gap & Proportioner	1	White	98289-00
29	Bottle Fill Air Gap & Proportioner	1	Green	98299-00
30	Bucket Fill Hose - Air Gap Only	1	Gray	98300-00
31	Bottle Fill Hose - Air Gap Only	1	Gray	98301-00
32	Priming Tube - Air Gap Only	1	Clear	98302-00

### SUGGESTED REPLACEMENT PATS TO HAVE ON HAND

BETCO PART NUMBER	PART DESCRIPTION
#800500	Vinyl tubing (1/4" x 7')
#9250200	Fastdraw PRO Docking Cap (Each)
#9839600 (#91599 Air Gap Unit)	Bucket Fill Air Gap & Proportioner
#9829900 (#91599 Air Gap Unit)	Bottle Fill Air Gap Proportioner
#9831300 (#9217400 Action Gap Unit)	Bucket Fill Action Gap
#9831400 (#9217400 Action Gap Unit)	Bottle Fill Action Gap
#9830800	Strainer Washer
#9831200	Action Gap Backflow Preventer
#9854600	Manifold Selector Valve

