



E29977-00 E29979-00
E29978-00



FiberPRO[®] 15 Series

High Pressure
Carpet Extractors



Operator and Parts
Manual

TABLE OF CONTENTS

RECEIVING THE MACHINE.....	3
TECHNICAL SPECIFICATIONS.....	3
GENERAL SAFETY REGULATIONS.....	4
MACHINE OVERVIEW	5
MACHINE COMPONENTS	6
MACHINE OPERATION.....	7 - 8
PARTS DIAGRAMS AND LISTINGS.....	10 - 13
WARRANTY	16

RECEIVING THE MACHINE

Immediately check, when receiving the machine, that all the materials indicated on delivery documents have been received and also that the machine has not been damaged in transit. If it has been damaged, this damage must be immediately reported to the shipper and also to our customer service department. Only acting promptly in this manner will make it possible to receive missing material and to be compensated for damage.

INTRODUCTION

This is a carpet extraction machine which, via the high pressure spray wand and strong vacuum system can clean many types of carpeted flooring.

The machine must be used only for this purpose.

Even the best machines will only work well if used correctly and kept in good working order. We therefore suggest you read this instruction booklet carefully and re-read it whenever difficulties arise while using the machine. Please contact our technical service department or your dealer if you have any questions about the machine.



Location of Serial Tag

Specifications

TECHNICAL DESCRIPTION	FiberPRO® 15C	FiberPRO® 15H	FiberPRO® 15HP
Item Number	E29977-00	E29978-00	E29979-00
Vac Motor	5.7" 3-Stage	5.7" 3-Stage	5.7" 3-Stage
Vacuum CFM	97	97	97
Water Lift	137"	137"	137"
Solution Pump	200 PSI	200 PSI	500 PSI Variable
Heater	None	2000 Watt	2000 Watt
Solution Tank	15 Gallon	15 Gallon	15 Gallon
Recovery Tank	15 Gallon	15 Gallon	15 Gallon
Power Cord	1 - 25' 12/3	2 - 25' 12/3	2 - 25' 12/3
Front Wheels	4" Casters	4" Casters	4" Casters
Rear Wheels	12" Non-Marking	12" Non-Marking	12" Non-Marking
Drain Hose	24"	24"	24"
Shutoff System	Float Ball	Float Ball	Float Ball
Length	32"	32"	32"
Width	23.5"	23.5"	23.5"
Height	37"	37"	37"
Weight	93 Lbs.	98 Lbs.	103 Lbs.

GENERAL SAFETY REGULATIONS

The regulations below must be carefully followed in order to avoid harm to the operator and damage to the machine.

- Read all labels on the machine carefully. Do not cover them for any reason and replace them immediately if they become damaged.
- The machine must be used exclusively by authorized and trained personnel.
- When operating the machine be careful of other people.
- The power cable outlet must be provided with a proper ground.
- Avoid damaging the power cable by crushing, bending, cutting or stressing it.
- Whenever the power cable is damaged, immediately contact a BETCO service center.
- Do not set containers on the machine.
- Machine storage temperature is between -10°F and 130°F, never store outside under humid conditions.
- Operating conditions: room temperature between 33°F and 100°F with relative humidity between 30% to 95%.
- Only use the machine in closed areas and do not expose it directly to rain.
- Never use the machine in an explosive environment.
- Do not use the machine as a means of transport.
- Never use acidic chemicals which could damage the machine.
- Never vacuum up flammable liquids.
- Never use the machine to gather dangerous powders.
- Use a powder fire extinguisher in case of fire. Do not use water.
- Do not hit against shelving or scaffolding. The operator must always be equipped with the appropriate safety device (gloves, shoes, helmet, glasses, etc.)
- If the machine does not work properly, perform routine maintenance. Otherwise, request the assistance of the BETCO technical service.
- When replacing parts ask for ORIGINAL spare parts from your Authorized BETCO Dealer and/or Retailer.
- Always turn off the machine and disconnect the power supply whenever maintenance is performed.
- **Never wash the machine with direct or pressurized jets of water or with corrosive substances.**
- Have your BETCO service center check the machine once a year.
- When your BETCO machine is ready to be retired, the machine must be disposed of properly. It contains oils and electronic components. The machine was built using totally recyclable materials.
- Liquid ejected from the spray nozzle could be dangerous as a result of its temperature, pressure, or chemical content.
- Keep loose clothing, hair, fingers, and all parts of body away from openings and moving parts.
- Extension cords must be 12/3 and no longer than 50 feet. Replace the cord or plug immediately if the ground prong becomes damaged.
- Do not handle the plug, the cord, or the machine with wet hands.
- Do not leave the machine unattended when it is plugged in. Unplug the unit from the outlet when not in use and before servicing.
- Do not use this machine to dry vacuum before wet cleaning.

MACHINE OVERVIEW

1. SYSTEM FEATURES

HEAT: The FiberPro 15H and 15HP models have a built-in heater. One switch activates either high heat or low heat. A green, separate circuit indicator light located on the switch plate will illuminate when the two power cords are plugged into outlets on different circuits. This aids the operator in finding separate circuits, which may avoid tripped breakers.

VACUUM: The vacuum motor provides an excellent ratio of water lift to air movement. Carpets should dry quickly if not over-wetted while cleaning.

SOLUTION PUMP: The pump is a 'demand' style system. It only runs when there is a demand for spray. This feature increases the life of the pump.

2. CHEMICALS:

The use of clear water in the machine is recommended, with the application of properly diluted cleaner as a pre-spray on the area to be cleaned. However, you may mix water and cleaning chemicals in a bucket, according to the directions on the chemical label, and then pour into the solution tank. If you choose to use chemicals in the machine, always use a cleaner with a pH as close to neutral as possible to avoid premature wear of the pump, seals, and other components. Damage caused by the use of strong chemicals is not covered under warranty. The use of powder chemicals is discouraged unless they are mixed very thoroughly and rinsed out completely at the end of the job. Powder cleaners could cause a build-up in the pump, lines, heater, and quick disconnects. Any problem caused by chemical build-up is not covered by warranty.

If foaming occurs as you clean, use a defoaming agent in the recovery tank only. This will prevent foam overflow which can cause water damage to machine components.

3. TOOLS & ACCESSORIES:

Use only manufacturer's recommended tools and accessories. If the spray valve on your cleaning tool begins to leak or if the spray tips get worn and are no longer providing a nice even spray pattern, order replacements from your distributor.

4. CARE & MAINTENANCE

For continual peak operation, clean the internal plumbing by rinsing with clear water at the end of each job. About once a month, rinse the machine with a commercial flushing compound to break up an mineral or chemical accumulation that may have formed from the use of hard water or chemicals.

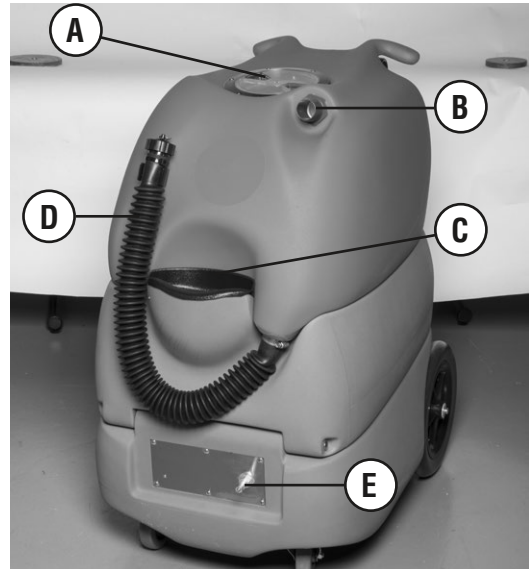
The vacuum motor and the pump do not require any scheduled maintenance. However, the vacuum motor may require replacement brushes after 750 – 1000 hours of use.

To help maintain a professional image, clean the exterior of the machine with an all-purpose detergent such as Betco Green Earth Peroxide Cleaner. The exterior can further be protected with Betco Brite MSP polish. Lubricate the wheels, casters, and quick disconnects with an all-purpose silicone spray.

MACHINE COMPONENTS

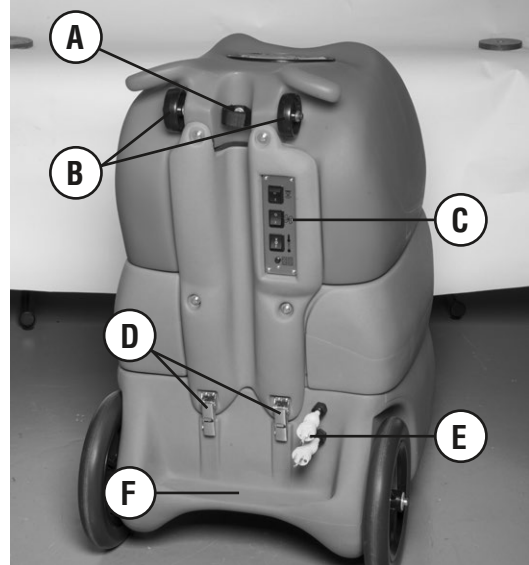
1. FRONT OF MACHINE

- A. Recovery Tank Access
- B. Vacuum Hose Connection
- C. Solution Fill Port
- D. Drain Hose
- E. Solution Hose Connection



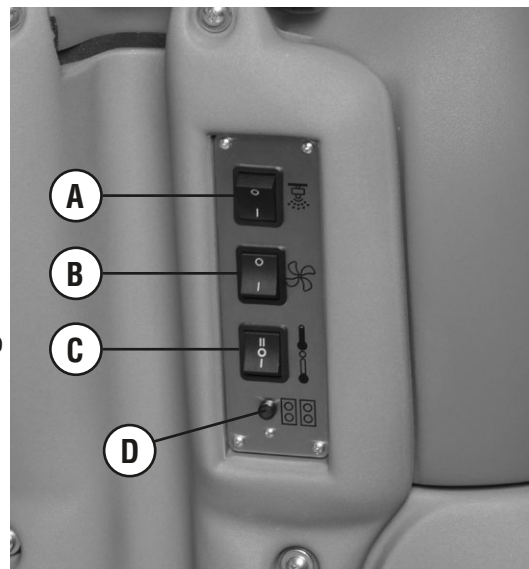
2. REAR OF MACHINE

- A. Velcro Wand Holder
- B. Loading Wheels
- C. Control Panel
- D. Latches
- E. Power Cord Pigtails
- F. Wand Storage Shelf



3. CONTROL PANEL

- A. Pump Switch
- B. Vacuum Switch
- C. Heat Switch (Select II for high heat or I for low heat. Center position is off)
- D. Green Light (Becomes illuminated when both power cords are plugged into separate circuits)



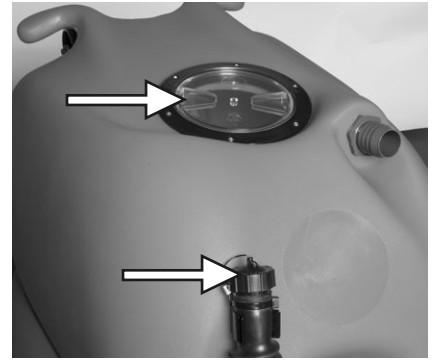
MACHINE OPERATION

1. INSPECT THE MACHINE

Before each use inspect the machine, hoses, and cleanliness and completeness. Ensure the spray nozzles on the cleaning tool are tight and that the float ball in the recovery tank is clean and operational.

2. SECURE RECOVERY TANK

Close the clear, screw-on lid to the recovery tank and make sure the drain hose caps is also screwed on tightly.



3. FILL SOLUTION TANK

Fill the solution tank with clean water. The heater on the H series is designed to provide nearly instant hot water for cleaning. If you use warm water in the solution tank it will increase the heaters efficiency.

Never use water above 120° F (49° C) in the solution tank.

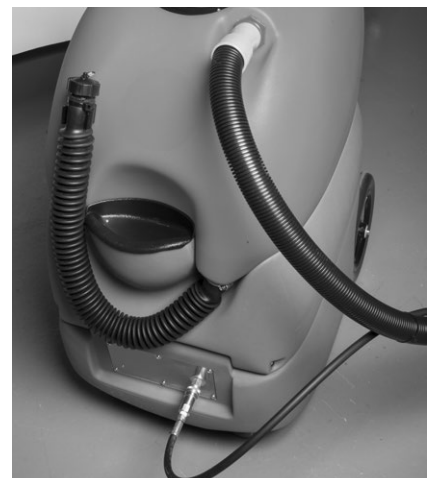


4. SAFELY PLUG IN MACHINE

Turn off all the switches. Plug the power cords into properly grounded outlets. If the machine is equipped with two cords, do not connect both cords to the same outlet. **NOTE:** This machine is equipped with a separate circuit locator light. This feature will inform the operator when the cords are plugged into separate circuits, thereby helping to prevent tripped circuit breakers. If the green light does not illuminate when both cords are plugged in, it means the cords are on the same circuit. Try other outlets with one of the cords until you get the indicator light to come on.

5. CONNECT HOSES

Connect the solution hose and the vacuum hose to the machine and to the cleaning tool. Turn on the pump switch and depress the trigger on the tool for a few seconds to fill the heater and lines with water.



MACHINE OPERATION

6. TURN ON HEAT SWITCH

If the machine has a heater, turn on the pump switch and depress the trigger on the tool for a few seconds to fill the heater and lines with water. Then, turn on the heat switch to either high heat (II) or low heat (I). Wait two minutes for the heater to reach operating temperature.

7. PRE-SPRAY AREA

Pre-spray the area to be cleaned with the appropriate Betco® carpet cleaning detergent. If you choose to add a detergent to the solution tank, be sure to mix well and always follow the use and dilution instructions on the chemical label. Use a Betco carpet cleaning detergent with a pH between 5 and 10 to reduce the likelihood of premature wear to the pump and other seals.

8. BEGIN CLEANING

Turn on the vacuum switch and begin cleaning the area. Squeeze the trigger on the tool and pull the wand in a backward motion. Release the trigger a few inches before finishing the stroke to ensure the vacuum shoe will pass over the wet area. Then push the tool in a forward motion back over the same clean path to remove residual water. Continue in this manner until the entire area has been cleaned.

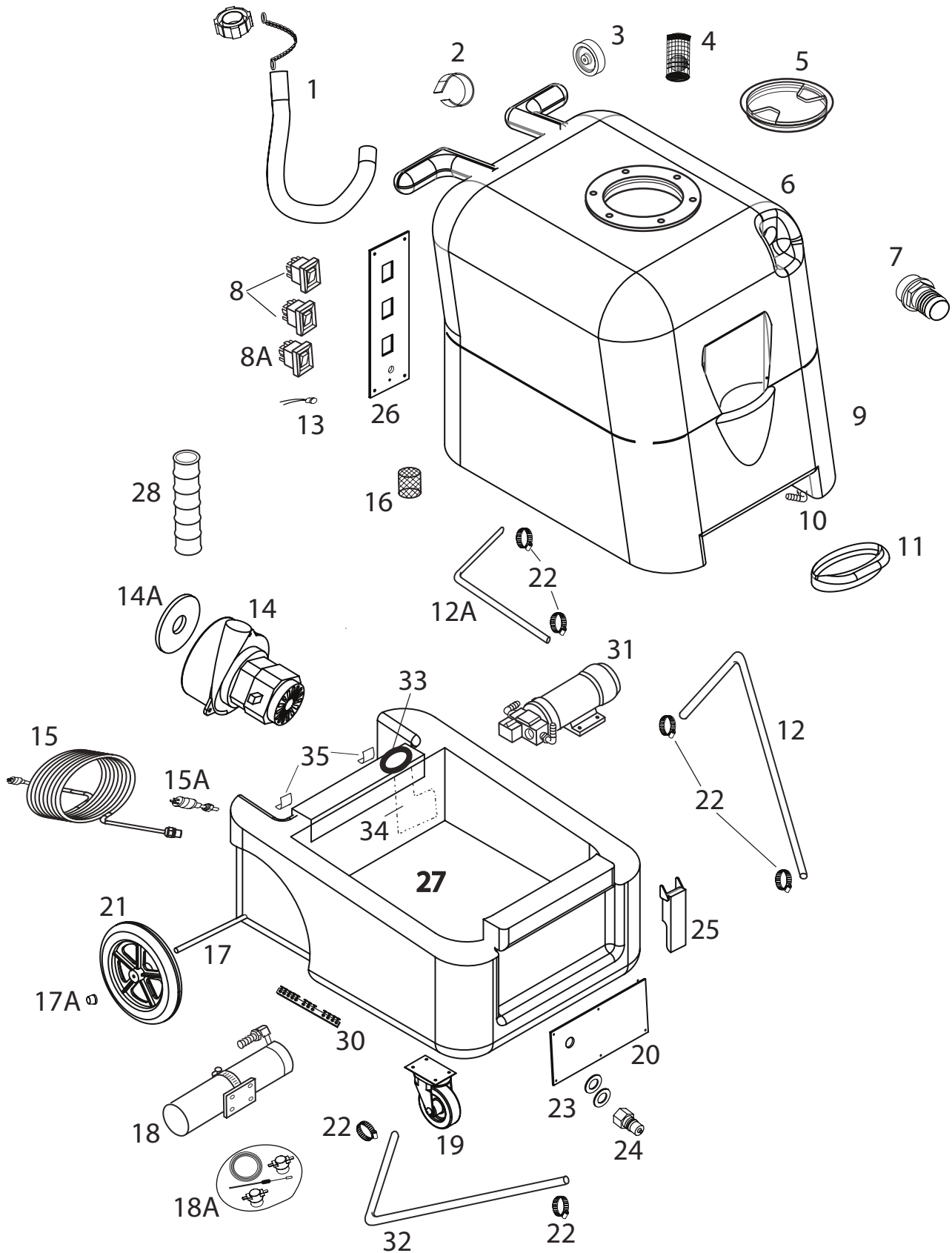
9. MONITOR WATER LEVELS

Monitor the water level in the solution tank. Do not let the pump run dry. When the solution level gets low, turn off the pump and vacuum, refill the solution tank, and empty the dirty water from the recovery tank.

10. FINISHING THE JOB

When finished with the job, remove any unused solution from the clean water tank and run a few gallons of clear water through the system. Drain the recovery tank into a drain or bucket using the drain hose on the front of the machine. Disconnect the hoses from the machine and the cleaning tool.

FIBERPRO® 15C & 15H PARTS DIAGRAM

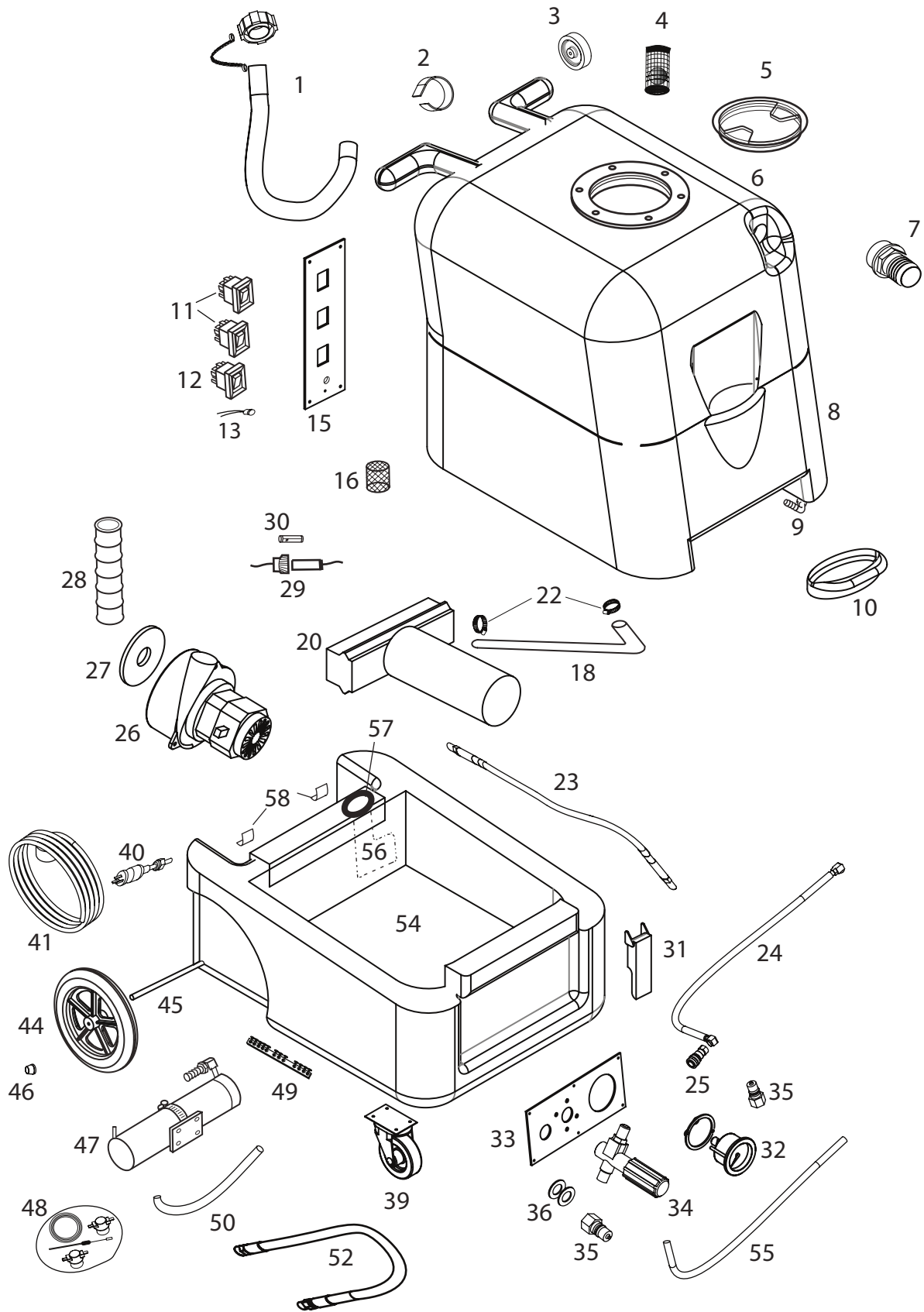


FIBERPRO® 15C & 15H PARTS LISTING

ITEM #	PART #	DESCRIPTION	QTY.
1	E84384	Drain Hose Assembly	1
2	E84385	Velcro Strap	1
3	E84386	Wheel, 3"	2
4	E84358	Float Ball Assembly	1
5	E84387	Clear Lid	1
6	E84388	Recovery Tank	1
7	E84389	Hose Barb, 1.5"	1
8	E84362	Switch, Pump & Vacuum	2
8A	E84361	Switch, Heater	1
9	E84390	Solution Tank	1
10	E84430	Hose Barb/Elbow 90°	1
11	E84391	Lid, Solution Tank	1
12	E84429	Hose, 3/8" ID x 48"	1
12A	E84395	Hose, 1/4" ID x 23.5"	1
13	E84428	Light, Green	1
14	E84399	Vacuum Motor	1
14A	E85652	Gasket, Vac Motor	1
15	E84410	Power Cord, 25'	2
15A	E84409	Pigtail, Power Cord	2
16	E84426	Filter, Pump Inlet	1
17	E84412	Axle, 23.75"	1
17A	E84413	Axle Cap	2

ITEM #	PART #	DESCRIPTION	QTY.
18	E84414	Heater, Complete	1
18A	E84415	Repair Kit, Heater	1
19	E84408	Caster	2
20	E84427	Plate	1
21	E84411	Wheel, 12"	2
22	E84370	Hose Clamp, 3/4"	8
23	E84407	Washer, High Temperature	2
24	E84406	Quick Disconnect, Male, 1/4"	1
25	E84402	Latch	2
26	E84393	Plate, Switch Mount	1
27	E84419	Base Compartment	1
28	E84381	Hose, 2" X 13", Wire Supported	1
30	E84416	Terminal Block	2
31	E84425	Solution Pump, 200 PSI	1
32	E84417	Hose, Heater to Outlet	1
33	E84422	Gasket, Vac Exhaust	1
34	E84421	Vacuum Manifold	1
35	E84423	Latch Clip	2
N/A	E84432	Vacuum & Solution Hose Assembly	1
N/A	E84433	Stainless Steel Wand	1
N/A	E84434	Xodus Titanium Wand	1

FIBERPRO® 15HP PARTS DIAGRAM



FIBERPRO® 15HP PARTS LISTING

ITEM #	PART #	DESCRIPTION	QTY.
1	E84384	Drain Hose Assembly	1
2	E84385	Velcro Strap	1
3	E84386	Wheel, 3"	2
4	E84358	Float Ball Assembly	1
5	E84387	Clear Lid	1
6	E84388	Recovery Tank	1
7	E84389	Hose Barb, 1.5"	1
8	E84390	Solution Tank	1
9	E84435	Hose Barb/Elbow, 90°	1
10	E84391	Lid, Solution Tank	1
11	E84362	Switch, Pump & Vacuum	2
12	E84361	Switch, Heater	1
13	E84392	Light, Green	1
15	E84393	Plate, Switch Mount	1
16	E84394	Filter, Pump Inlet	1
18	E84395	Hose, 1/4" ID x 23.5"	1
20	E84396	Solution Pump, Complete, 500 PSI	1
22	E84370	Hose Clamp, 3/4"	2
23	E84397	Hose	1
24	E84398	Hose, 17"	1
25	E84424	Quick Disconnect, Female	1
26	E84399	Vacuum Motor	1
27	E85652	Gasket, Vac Motor	1
28	E84381	Hose, 2" X 13", Wire Supported	1
29	E84400	Fuse Holder	1
30	E84401	Fuse, 5 Amp	1

ITEM #	PART #	DESCRIPTION	QTY.
31	E84402	Latch	2
32	E84403	Pressure Gauge	1
33	E84404	Plate, Gauge Mount	1
34	E84405	Pressure Regulator	1
35	E84406	Quick Disconnect, Male, 1/4"	1
36	E84407	Washer, High Temperature	2
39	E84408	Caster	2
40	E84409	Pigtail, Power Cord	2
41	E84410	Power Cord, 25'	2
44	E84411	Wheel, 12"	2
45	E84412	Axle, 23.75"	1
46	E84413	Axle Cap	2
47	E84414	Heater, Complete	1
48	E84415	Repair Kit, Heater	1
49	E84416	Terminal Block	2
50	E84417	Hose, Heater to Outlet	1
52	E84418	Hose	1
54	E84419	Base Compartment	1
55	E84420	Hose, 1/2" x 25"	1
56	E84421	Vacuum Manifold	1
57	E84422	Gasket, Vac Exhaust	1
58	E84423	Latch Clip	2
N/A	E84432	Vacuum & Solution Hose Assembly	1
N/A	E84433	Stainless Steel Wand	1
N/A	E84434	Xodus Titanium Wand	1

BETCO US WARRANTY POLICY

10 year coverage

Subject to the conditions stated below, Betco warrants parts and labor on rotationally molded polyethylene tanks/ housings and injection molded vacuum head assemblies to be free from defects in materials and workmanship for a period of ten years to the original purchaser.

3 Year Coverage

Subject to the conditions stated below, Betco warrants parts and labor on all other Betco components to be free from defects in materials and workmanship for a period of three years to the original purchaser.

1 Year Coverage

Subject to the conditions stated below, Betco offers a limited warranty on parts and labor on the following equipment: parts and accessories to be free from defects in materials and workmanship for a period of one year to the original purchaser.

- PowerUp™ 14 Upright Vacuum: #E29990-00
- Bac Pac Lite Vacuum: #85903-00
- FiberPRO® Floor Dryer: #85507-00
- WORKMAN™ Series Vacuums: #85024-00, #85025-00, #83012-00, #85027-00
- All Tools and Accessories
- All Battery Chargers
- All Batteries are pro-rated for 1 year

Allowable Travel Time Warranty Reimbursement:

Eligible equipment: All battery and propane powered equipment products. Warranty period: 90 days from date of sale to the original purchaser. A maximum 180 mile round trip at 50 cents per mile will be allowed for warranty consideration.

Propane Machine Warranty:

Kawasaki engines are warranted by Kawasaki for a period of 2 years against manufacturer defects. All other components (except wear items)* are warranted by Betco for a period of 3 years.

***Wear Items exempt from Warranty consideration include but may not be limited to: power cords, transport wheels, vacuum bags, belts, squeegee blades, pad drivers, clutch plates, handle grips, filters, screens, throttle cables, brushes and carbon brushes.**

Subject to the conditions and exceptions stated in this warranty, Betco warrants the Betco products to be free from defects in material and workmanship, under normal use and service, for the periods listed under the warranty policy to the original purchaser. At any time during the warranty period, Betco will furnish replacement parts for the Betco parts to the original purchaser. Such parts will be furnished and charged including transportation costs, to the original owner through any Betco authorized Service Distributor. If the original part is returned within the warranty policy period from date of delivery for inspection by Betco and is found to be defective the owner will be credited for the cost of replacement parts plus shipping and handling. Replacement parts that have become defective through wear or abuse are not included in this warranty.

This warranty does not apply to damage or defect caused by accident, misuse, negligence, fire, or to any Betco product which has been serviced or repaired by other than an authorized Betco Service Distributor or Betco factory personnel. This warranty is void if products are used for any purpose other than that which was intended. There are no other warranties expressed or implied. In no event shall Betco be liable for incidental or consequential damages or any damage to person or property. (Please note some states do not allow the exclusion or limitations for incidental and consequential damages).

