

# PB21

**ORDER #87048**

*21" Propane Burnisher*

## FEATURES

- 21" Burnishing path
- 11 hp Honda engine
- Electric starter
- Lightweight aluminum alloy deck
- Free floating spin-on 16 gauge steel pad driver
- Total-grip adjustable handle assembly

Betco propane burnishers are designed for maximum burnish performance and productivity. The powerful 11 hp Honda engine delivers the power necessary to maintain high speed floor finishes. The lightweight aluminum deck and fully adjustable handle make this unit easy and comfortable to operate.

## WARRANTY

The 11 hp Honda engine is warranted by Honda for 2 years against manufacturer's defect.

All other components (except wear items)\* are warranted by Betco for 3 years.

\*Wear items not covered under warranty are: wheels, filters, throttle cable, pad driver and handle grips.

\*Please refer to Betco Equipment Price/Product Guide for complete equipment warranty information.

*Authorized Betco Distributor:*



## SPECIFICATIONS

- Pad Size: 21"
- Engine: 11 hp Honda
- Electric Start System: 110 volt
- Propane Tank: Included
- Weight: 183 lbs.

## APPLICATIONS

- Dry burnishing
- Restorative burnishing

*Better Resources. Better Results.*

**BETCO**<sup>®</sup>

1001 Brown Avenue • P.O. Box 3127 • Toledo, Ohio 43607-0127  
©All Rights Reserved 3/99 • Reorder #87048

# BETCO BETTER SOLUTIONS

## OFFERING THE TOTAL SOLUTION.

*Betco is now the only manufacturer with a complete line of products for the cleaning professional.*



*Complete Floor Machine, Vacuum and Scrubber Line.*



*Complete Carpet Care Program.*



*Complete Training Programs.*



*Complete Chemical Programs, Cleaners, Floor Care and specialties.*



*Complete Hand Cleaner Line.*



*Nationwide Support.*

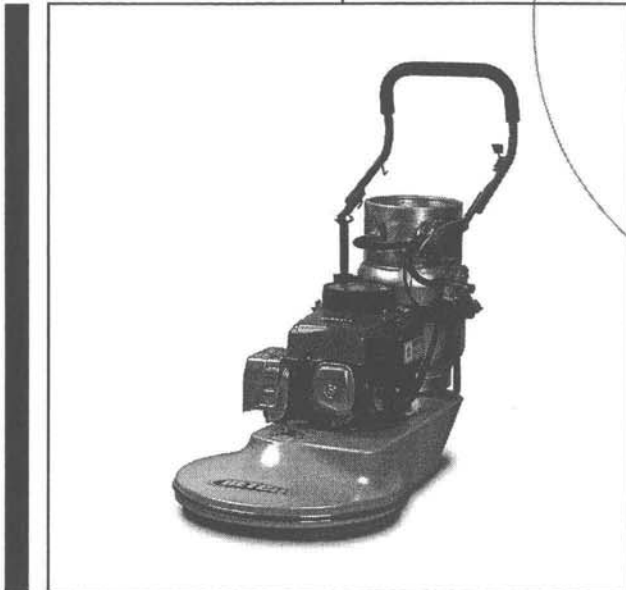
*Let Betco be your single source manufacturer.*

*Better Solutions Come From...*  
**BETCO**<sup>®</sup>

# PB21 21" Propane Burnisher

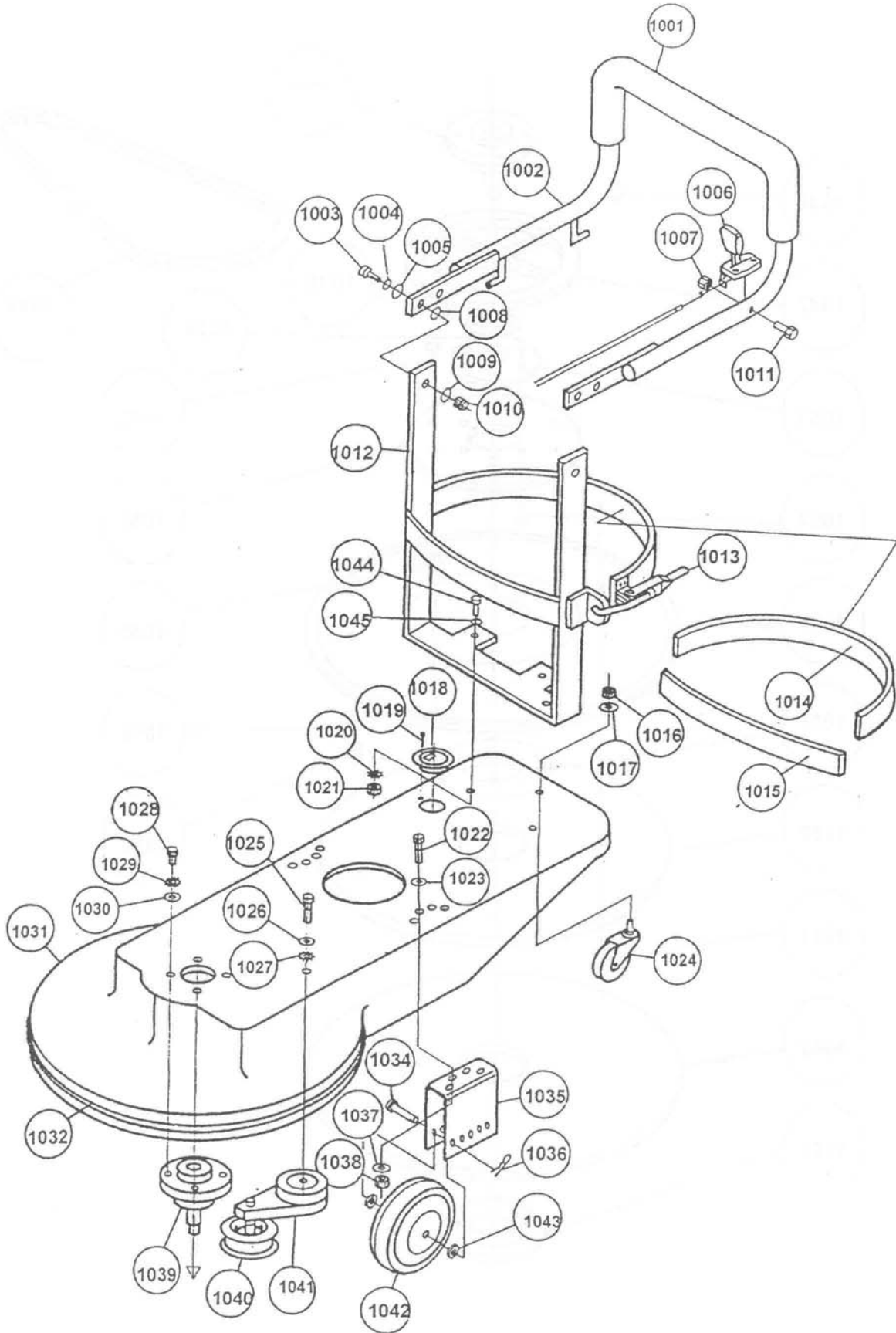
## Parts Schematic

Item #87048

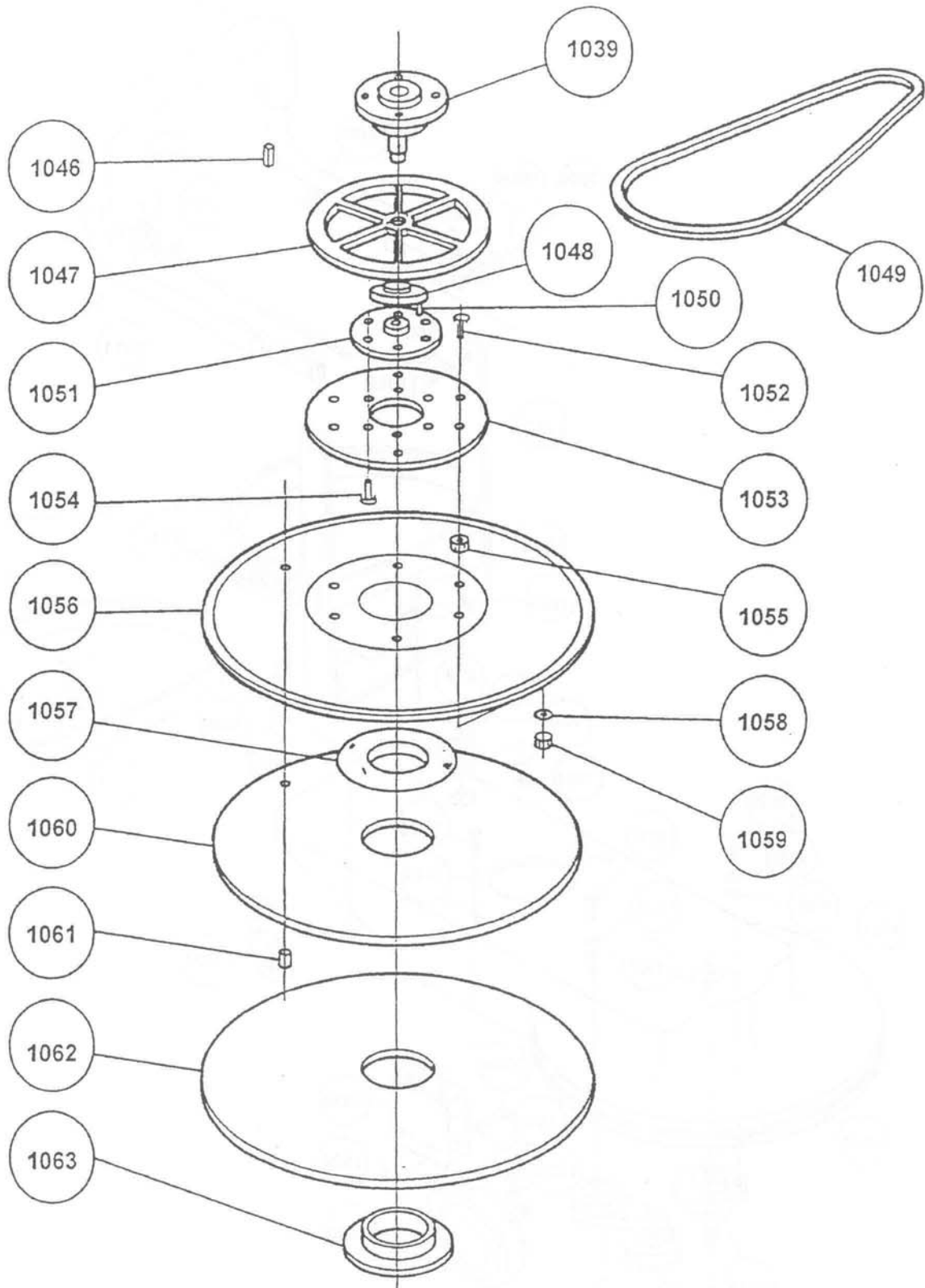


Better Resources. Better Results.  
**BETCO**®

# 87048 21" Propane Burnisher Parts Schematic



# 87048 21" Propane Burnisher Parts Schematic





**87048 21" Propane Burnisher Parts Schematic**

<u>REF #</u>	<u>Description</u>	<u>PBI #</u>
1000	21" SCHEMATIC	P2000
1001	HAND GRIP	P1077
1002	UPPER HANDLE (STD)	P1063
1003	BOLT	P2003
1004	LOCK WASHER	P2004
1005	FLAT WASHER	P2005
1006	THROTTLE CABLE	P1068-34
1007	NUT	P2006
1008	LOCK WASHER	P2007
1009	LOCK WASHER	P2008
1010	NUT	P2009
1011	BOLT	P2010
1012	LOWER HANDLE (STD)	P1063-L
1013	LATCH SCREW	P1130
1014	FELT	P2011
1015	FELT	P2012
1016	NUT	P2020
1017	FLAT WASHER	P2023
1018	HOUR METER	P1076
1019	RIVET (3)	P2024
1020	LOCK WASHER	P2025
1021	NUT	P2019
1022	BOLT	P2026
1023	FLAT WASHER	P2025
1024	SWIVEL CASTER	P1074
1025	BOLT	P2028
1026	LOCK WASHER	P2029
1027	FLAT WASHER	P2030
1028	BOLT	P2031
1029	LOCK WASHER	P2032
1030	FLAT WASHER	P2033
1031	DECK	P1002
1032	BUMPER GUARD 52"	P1141
1033		
1034	WHEEL AXLE	P2034
1035	WHEEL BRACKET	P1051
1036	COTTER PIN	P2035
1037	FLAT WASHER	P2025
1038	NUT	P2019
1039	FRONT END	P1050
1040	IDLER PULLEY	P1025
1041	BELT TENSIONER	P1071
1042	6" WHEEL	P1073

## 87048 21" Propane Burnisher Parts Schematic

<u>REF #</u>	<u>Description</u>	<u>PBI #</u>
1043	WHEEL SPACER (2)	P2033
1044	BOLT	P2026
1045	FLAT WASHER	P2025
1046	KEY STOCK	P1036
1047	PULLEY	P1020
1048	BUSHING	P1017
1049	BELT	P1104
1050	BOLT	P2034
1051	PLATE	P1047
1052	BOLT (6)	P2027
1053	FLEX COUPLER	P1061
1054	BOLT (6)	P2027
1055	FLEX SPACER (6)	P1062
1056	PAD DRIVER	P1057
1057	CENTER DEVICE (MALE)	P1066
1058	WASHER	P2035
1059	NUT	P2019
1060	GRIPPER RING	P1065
1061	RIVET (6)	P2036
1062	FLOOR PAD	PAD21
1063	CENTER DEVICE (FEMALE)	P1066-F
1064		
1065		
1066	HOSE	P1006
1067	FITTING	P1013
1068	FUEL SHUTOFF	P1082-1
1069	FITTING	P1008
1070	HOSE	P1006
1071	VACUUM HOSE	P2013
1072	FITTING	P1011
1073	FUEL REGULATOR	P1083-1
1074	FUEL HOSE	P2014
1075	FITTING	P1010
1076	VACUUM TEE	P2037
1077	VACUUM HOSE	P1087
1078	FITTING	P1012/P1011
1079	BOLT	P2021
1080	LOCK WASHER	P2022
1081	BOLT	P2021

# Propane Burnisher

## Operator's Manual

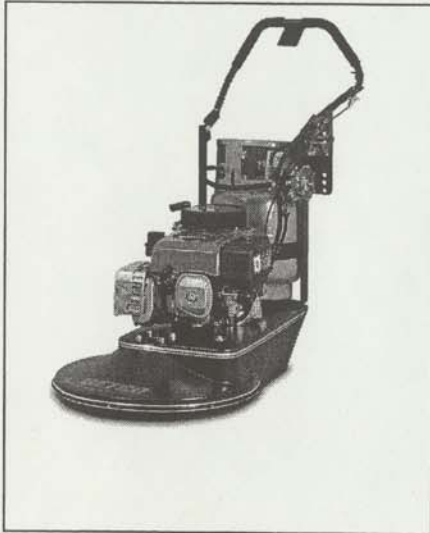
Item #87055

#87049

#87053

#87052


#87054






## OPERATION

### PRECAUTIONARY INSTRUCTIONS

 This symbol is used throughout this manual to warn of hazards or unsafe practices which could result in personal injury to yourself or others.

 **ATTENTION!** Please read and follow all the instructions in this manual as well as the "*Safety Awareness Manual*" included in the documentation shipped with this machine before operating the machine.

1. Check fuel cylinder for overfill before taking it into the building or placing it in storage.
2. Install fuel cylinder in a well ventilated place.
2. Be aware of possible leaks of propane gas if odor is present.
3. Check carburetor air filter for cleanness before starting engine.
4. Never run the engine with the throttle in the choke position.
5. Never leave the machine unattended while the engine is running.
5. If the machine is stored inside the building, remove the fuel cylinder & store properly outside.
7. Secure cylinders when being transported. If attached to the machine service valves should be OFF.
8. Never store fuel cylinders in your van where they me be exposed to high temperature.
9. Maintain the propane powered floor machine as directed by the manufacturer.
10. Only trained operators should be allowed to operate propane powered floor machines.

Copyright © 2001 Eagle Solutions LLC.

All rights reserved.

Reproduction or translation of any part of this work is beyond that permitted by section 107 or 108 of the 1976 Unites States Copyright Act without the permission of the copyright owner is unlawful. Requests for permission or further information should be addressed to the Permission Department, *Eagle Solutions LLC*. PO Box 443 Adairsville GA. 30103

This publication is designed to provide accurate and authoritative information in regard to the subject matter covered. It is provided with the understanding that the publisher is not engaged in rendering legal or other professional services.

This manual is furnished with each new propane powered floor machine. It provides necessary operation and maintenance instructions. **Read and understand the information in this manual before operating or servicing this machine!**

Additional copies may be ordered through Customer Service.

When ordering replacement parts use the standard Parts list in this manual. Before ordering parts or supplies, be sure to have your machine model number and serial number handy. Parts and supplies may be ordered by phone, Fax, or mail from any Authorized Service Center or Distributor.

You have purchased one of the finest floor machines engineered and manufactured. It will provide excellent service for years to come. However the best results will be obtained if:

1. The machine is operated with reasonable care.
2. The machine is maintained regularly as suggested by the manufacturer.

**MACHINE DATA**

Please fill out for future reference.

Model No. \_\_\_\_\_

Date of purchase \_\_\_\_\_

Serial No. \_\_\_\_\_

**NOTE:** Specification are subject to change without notice.

**TABLE OF CONTENTS**

PRECAUTIONARY INSTRUCTIONS.....	2	LIFE OF MACHINE.....	10
SAFETY PRECAUTIONS.....	4	FUEL SYSTEM.....	10
MACHINE SETUP.....	5	CHANGING OIL.....	10
OIL LEVEL & FILTERS.....	5	ADJUSTING BELT TENSION.....	10
HANDLE ADJUSTMENT.....	5	FILLING AND STORING CYLINDERS.....	11
INSTALLING FUEL CYLINDER.....	5	FILLING.....	11
INSTALLING PAD DRIVER & PADS.....	5	STORING.....	11
MACHINE OPERATION.....	6	STORING MACHINE.....	11
STARTING ENGINE.....	6	TRANSPORTING MACHINE.....	11
OPERATING THE CLUTCH.....	6	TROUBLE SHOOTING GUIDE.....	12
OPERATION OF TRACKER 3000.....	6	STANDARD PARTS.....	13
OPERATION OF DUST CONTROL.....	7		
OPERATION OF EASY GLOSS SPRAY.....	7		
STOPPING THE ENGINE.....	7		
EMERGENCY STOPPING.....	7		
CONVERTING THE PRIDE 2100 (STRIP/BUFF).....	8		
MAINTENANCE.....	9		
DAILY.....	9		
WEEKLY.....	9		
MONTHLY.....	9		
QUARTERLY.....	9		